

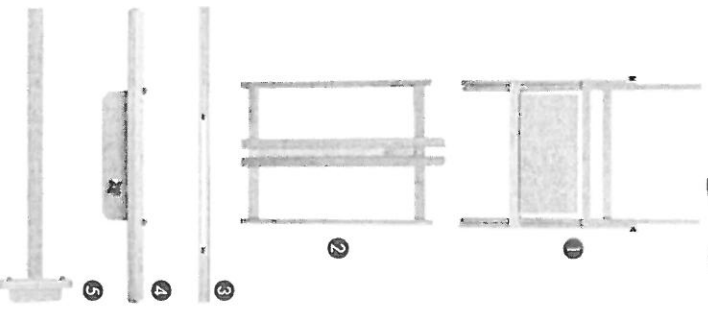
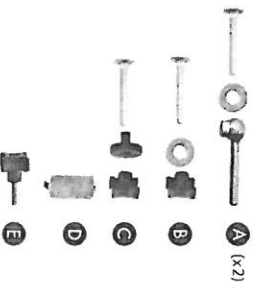
# CONVERTIBLE STUDIO EASEL

**BLICK** art materials

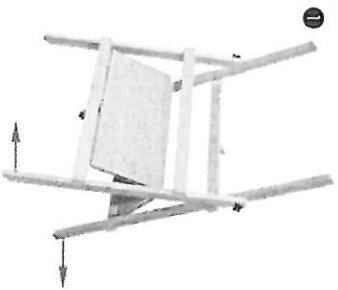
assembly instructions  
For model 51753-1010

## hardware

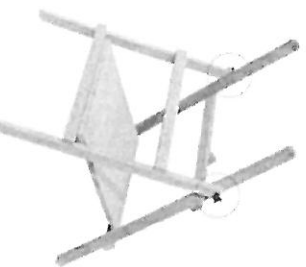
No tools required



### 1



Unfold so legs are fully extended. (If necessary, first loosen the knobs at the joint where the legs meet.)

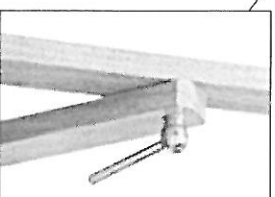


Tighten the knobs to stabilize.

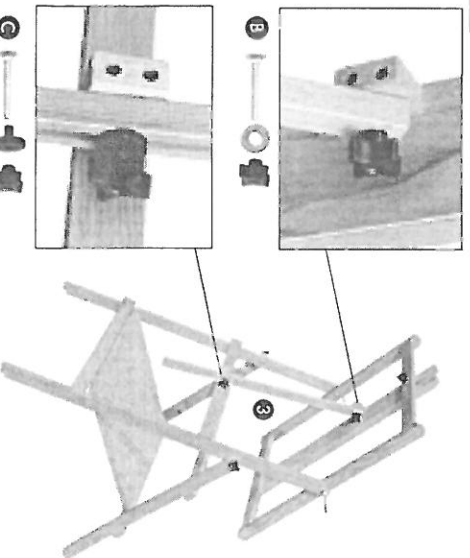
### 2



Attach the canvas support to the base.

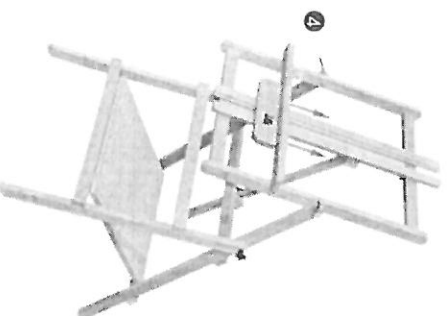


### 3



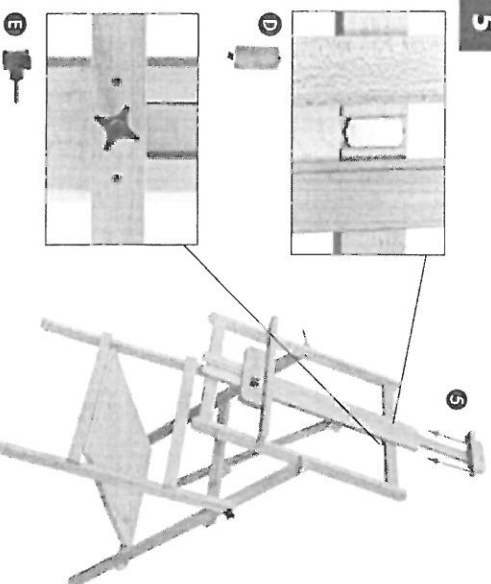
Attach the mast to the base and the canvas support.

### 4



Attach the canvas tray by inserting the fastener into the channel on the canvas support.

### 5



Insert the knob and protective plate, then slide the top of the canvas tray into the channel on the canvas support.