



# Laguna Seamless Spray Booth Pro-V and Pro-X

## **OWNERS MANUAL**

Laguna Clay Co., 14400 Lomitas Avenue, City of Industry, CA 91746,  
(626) 330-0631 ♦ [info@lagunaclay.com](mailto:info@lagunaclay.com) ♦ [www.lagunaclay.com](http://www.lagunaclay.com)

**T**hank you for selecting Laguna's Pro-V or Pro-X Spray Booth. The finest in workmanship and materials have gone into constructing your new spray booth, and with proper use and care, you will enjoy years of dependable service.



The purpose of this manual is to acquaint you with your Laguna Spray Booth and to provide important operational and safety information. As you begin using your Spray Booth, remember, **there is no substitute for common sense in the safe operation of this equipment. Always put safety first!** Direct any questions or comments you may have to [info@lagunaclay.com](mailto:info@lagunaclay.com).

**M**aterial Composition. Your spray booth was manufactured from ethylene-olefin copolymer, commonly referred to as polyethylene. This material has a melt point of 330°F and a flash point of 650°F. The material is stable unless subjected to extremely strong acids. A Material Safety Data Sheet (MSDS) for the polyethylene can be found at [www.lagunaclay.com](http://www.lagunaclay.com).

**S**praying Applications. The standard fan, motor and filters sold as

accessories to the Laguna Spray Booth and air scrubber system are for use with water based, non-flammable and non-toxic materials. This motor may be purchased from Laguna Clay Company. For safety reasons, a special motor is required when spraying flammable materials. Use of toxic or flammable materials may require a more sophisticated air filtration system than the baffle knock down filter we recommend for use in spraying water based glaze. Installation of the spray booth, motor, filters, and venting must comply with local building codes, EPA and air quality requirements. For additional information contact your local HVAC professional.

**L**ocation & installation. Locate your Pro-V or Pro-X spray booth (1) on a flat, stable surface; (2) in an area with plenty of open space; (3) within easy access to your glazes and (4) in an area accessible to water for easy clean-up. If you mount the fan and motor on the back of the booth, be sure to bolt the booth's legs to the floor, stand or bench top for additional stability.

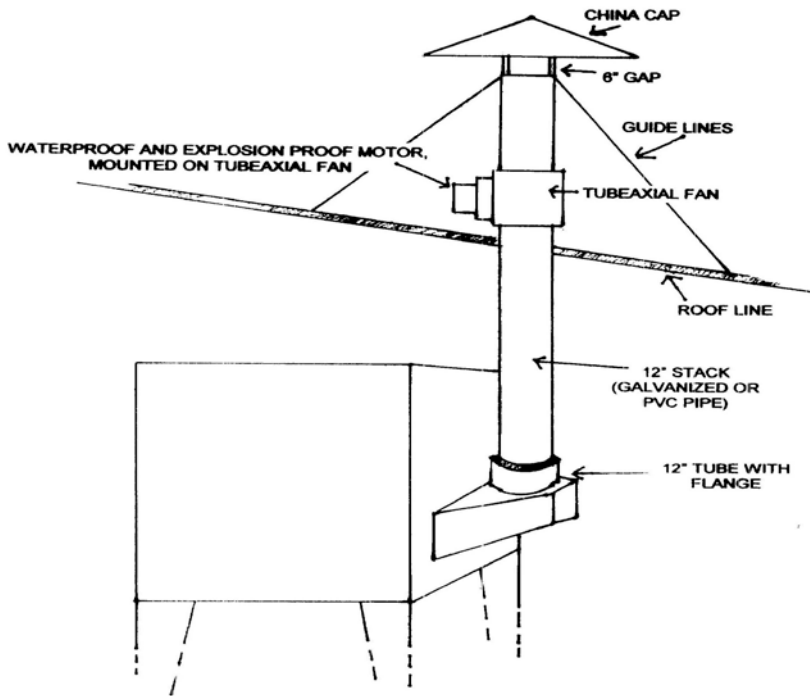
**V**enting and ducting. A primary function of your spray booth is to vent and collect over-spray. This is accomplished by three components: the filters, the fan, and the ducting. The filters catch most of the over-spray. Glaze particles that are pulled past the filters will generally collect in the plenum behind the filters. While the installation of your Spray Booth is not complicated, many communities regulate the use and installation of such equipment, and we recommend you contact an HVAC contractor to ensure compliance with local building, environmental and safety requirements. Several venting options are offered later in this manual.

**F**ilter: Laguna Clay Company offers two types of filters for the Pro-V or Pro X Spray Booth -styrofoam filters or long-lasting aluminum filters. Both filters are baffle design and should be washed after each spraying session. A set of two filters is required for the Pro -V booth, and one filter for the Pro X. Some filters are not reversible and must be positioned as indicated by air-flow arrows on the side of the filters.

**F**an and Motor: Exhaust fan/motor systems are available for both the Pro-V and Pro-X. Laguna has done extensive testing to ensure that the exhaust systems are properly matched to the booth size and static pressure created by typical booth installation. The standard motors are single phase, 115V. The Pro-V motor can be adapted to either 115V or 220V.

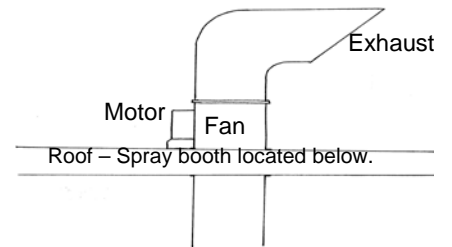
Motor Mount. While the fan & motor can be mounted on the plenum at the back of the booth, it is often desirable to run ducting from the plenum to an outside wall or roof-mount, thus separating motor and fan noise from the room in which the spray booth is being used. This is an alternate way to set up your fan and motor however, your HVAC or electrical contractor can help you explore all available options. Spray booth specifications and several installation options are provided on the following pages.

# Installation with Fan & Motor Mounted Above Roof

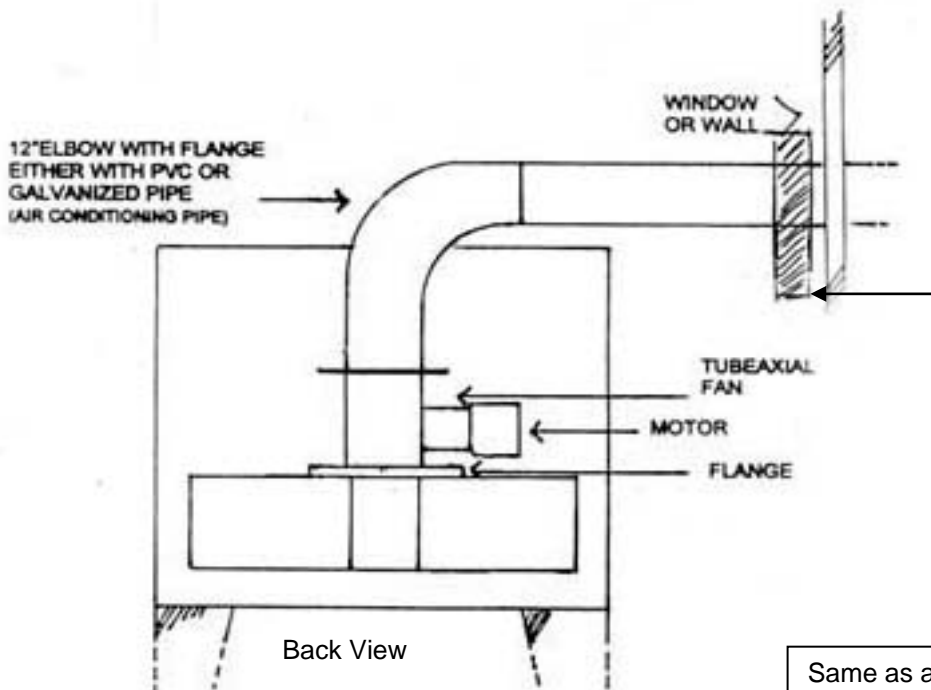


If you mount a motor to the outside, it must be a hazardous placement motor.

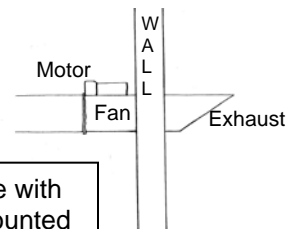
Goose neck vs. china cap cover.



# Installation with Fan & Motor on Plenum and Vented Through Wall



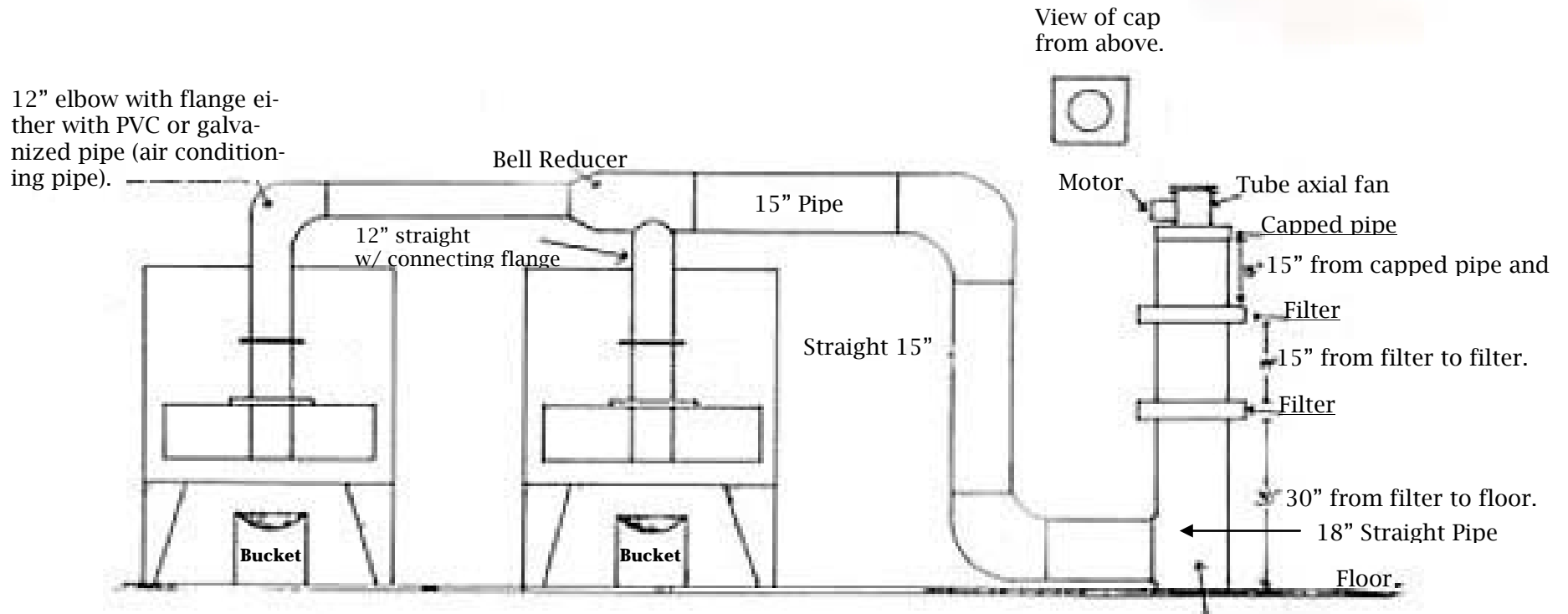
An additional filter may be installed "in-line" for improved air filtration.



Same as above with fan & motor mounted at wall.

## Multiple Booth Filter System

Below is a custom designed air scrubber system with the scrubber assembly located in a room separate from the two spray booths.



Air Scrubber System

When using two (2) spray booths, a  $\frac{3}{4}$  hp motor is required.  
 When using one (1) spray booth, a  $\frac{1}{2}$  hp motor is required.

# Gravity Flow Spray System

