

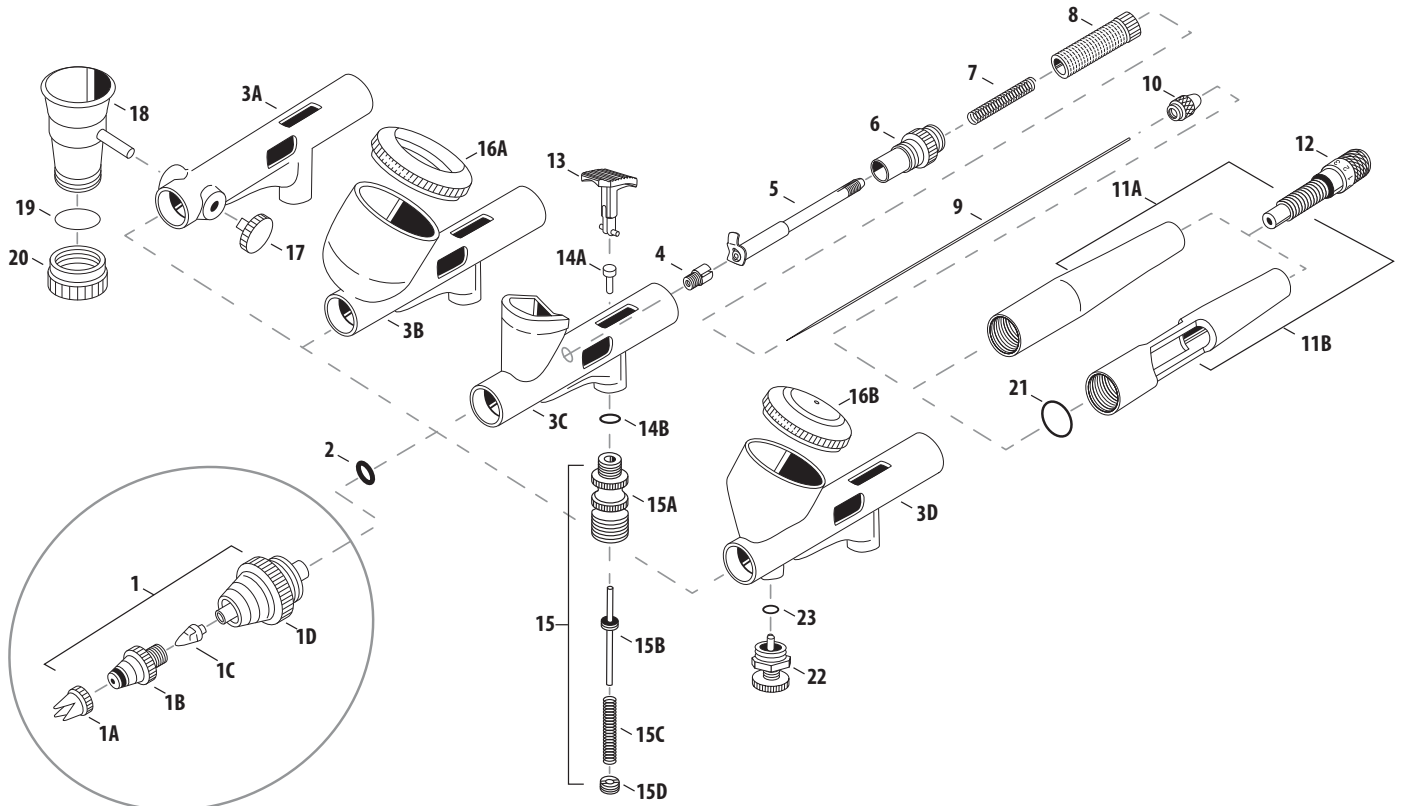


iwata

by **ANEST IWATA**

AIRBRUSH PARTS GUIDE

IWATA CUSTOM MICRON SERIES (VERSION 2)



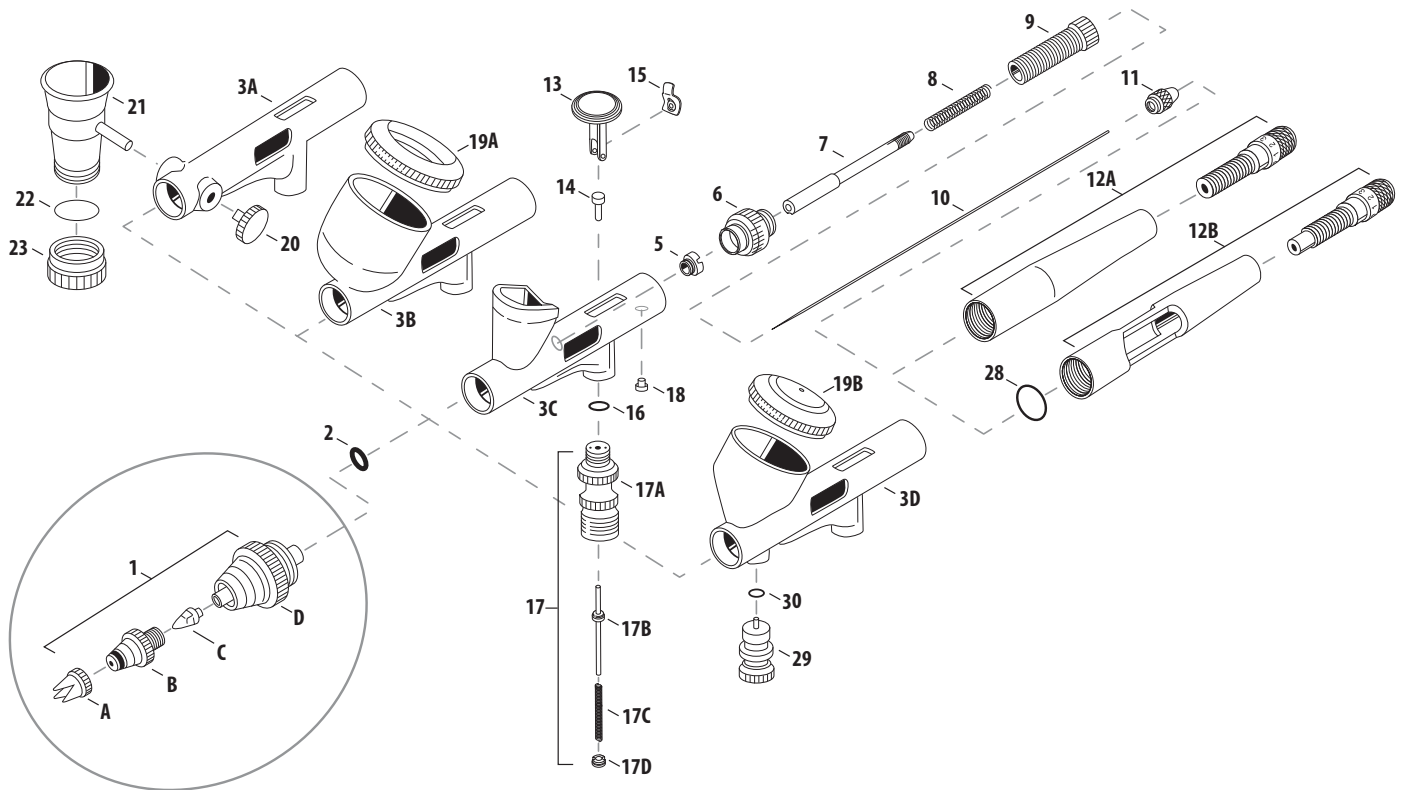
#	ITEM DESCRIPTION	PRICE CODE	ITEM #	CM-B	CM-SB	CM-C	CM-C+	ALSO FITS
1	Fluid Head System	0.18 mm	L 1535 1	■	■	opt	opt	All CM
		0.23 mm	L 1535 2	opt	opt	■	■	All CM
1A	Fluid Head-Needle Crown Cap	D	1535 1D	■	■	■	■	All CM
1B	Fluid Head-Nozzle Cap	G	1535 1C	■	■	opt	opt	All CM
		G	1535 2C	opt	opt	■	■	All CM
1C	Fluid Head-Nozzle	0.18 mm	H 1535 1B	■	■	opt	opt	All CM
		0.23 mm	H 1535 2B	opt	opt	■	■	All CM
1D	Fluid Head Nozzle Base	J	1535 1A	■	■	■	■	All CM
2	Packing Fluid Head (O-Ring)	C	1580 2	■	■	■	■	All CM
3A	Body*	SB	N/A	x	■	x	x	
3B		C	N/A	x	x	■	x	
3C		B	N/A	■	x	x	x	
3D		C+	N/A	x	x	x	■	
4	Packing Fluid Needle Set (PTFE)	D	1590 2	■	■	■	■	All CM
5	Needle Chucking Guide With Auxiliary Lever	C	1115 7	■	■	■	■	
6	Spring Guide	C	1590 3	■	■	■	■	
7	Needle Spring	B	1570 1	■	■	■	■	All CM
8	Needle Spring Adjuster	E	1575 1	■	■	■	■	All CM
9	Fluid Needle	0.18 mm	E 1540 1	■	■	opt	opt	All CM
		0.23 mm	E 1540 2	opt	opt	■	■	All CM
		0.23 mm	E 1540 3	x	x	x	■	All CM
10	Needle Chucking Nut	B	1560 1	■	■	■	■	All CM
11A	Pre-Set Handle	G	1585 4	■	■	■	opt	
11B	Pre-Set Handle (Single Cut)	G	1585 5	opt	opt	opt	■	
12	Pre-Set With Crown Cap Dock	E	1586 1	■	■	■	■	All CM

#	ITEM DESCRIPTION	PRICE CODE	ITEM #	CM-B	CM-SB	CM-C	CM-C+	ALSO FITS
13	Main Lever	D	1545 4	■	■	■	■	
14A	Air Piston	B	1500 1	■	■	■	■	All CM
14B	Packing Air Piston (O-Ring, 2pcs)	B	1580 1	■	■	■	■	All CM
15	Air Valve Set	H	1510 1	■	■	■	■	All CM
15A	Air Valve Body	F	1510 2	■	■	■	■	All CM
15B	Air Valve	C	1505 1	■	■	■	■	All CM
15C	Air Valve Spring	B	1510 4	■	■	■	■	All CM
15D	Air Valve Guide	B	1510 3	■	■	■	■	All CM
16A	Fluid Cup Lid	E	1530 1	x	x	■	opt	All CM
16B	Fluid Cup Lid	E	1618 1	x	x	opt	■	All CM
17	Blanking Cover	B	1045 2	x	■	x	x	All CM
18	Fluid Cup	1/8 oz	G 1070 3	x	■	x	x	All CM
		1/4 oz	G 1070 4	x	■	x	x	All CM
19	Packing Lower Lid (Gasket)	A	1150 5	x	■	x	x	All CM
20	Lower Lid	1/8 oz	B 1095 6	x	■	x	x	All CM
		1/4 oz	C 1095 7	x	■	x	x	All CM
21	Packing Handle (O-Ring)	A	1605 1	x	x	x	■	All CM
22	Micro Air Control Valve	D	1190 1	x	x	x	■	All CM
23	Packing Mac Valve (O-Ring)	A	1190 2	x	x	x	■	All CM
	Spanner (Nozzle Wrench)	B	1165 1	■	■	■	■	All CM
	Quick Fit Set (QD and Adaptor)	H	1160 3	opt	opt	opt	opt	All CM
	Quick Fit Adaptor (Adaptor Only)	C	1160 4	opt	opt	opt	opt	All CM
	Adaptor (Iwata Airbrushes to Paasche Air Hose)		J001	opt	opt	opt	opt	All CM
	Adaptor (Iwata Airbrushes to T & C/Badger Air Hoses)		J002	opt	opt	opt	opt	All CM

*Replacement parts not available.

■ = yes x = no opt = optional

IWATA CUSTOM MICRON SERIES (ORIGINAL)



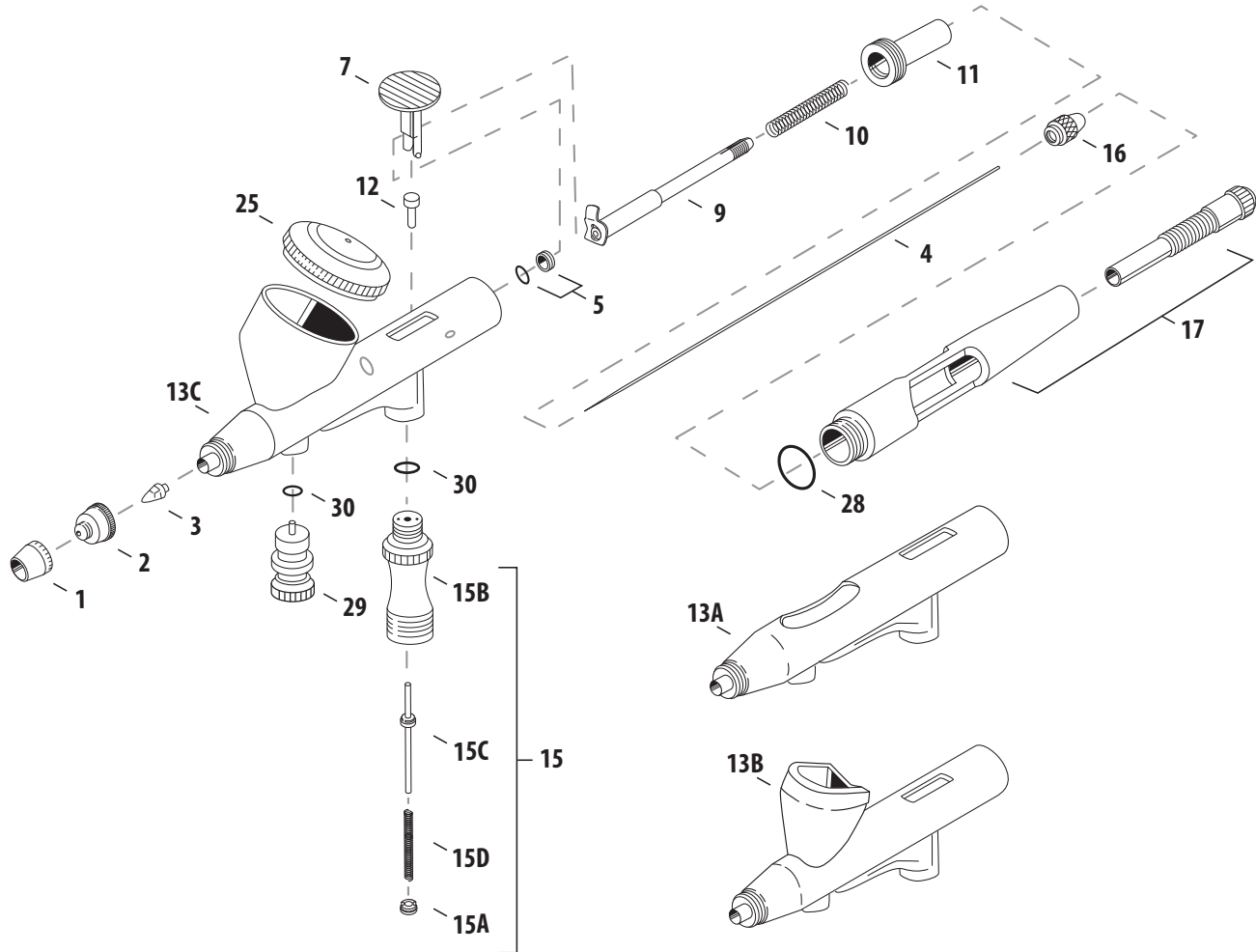
#	ITEM DESCRIPTION	PRICE CODE	ITEM #	CM-B	CM-SB	CM-C	CM-C+	ALSO FITS
1	Fluid Head System	0.18 mm	L 1535 1	■	■	opt	opt	
		0.23 mm	L 1535 2	opt	opt	■	■	
1A	Fluid Head-Needle Crown Cap	D	1535 1D	■	■	■	■	
1B	Fluid Head-Nozzle Cap	G	1535 1C	■	■	opt	opt	
		G	1535 2C	opt	opt	■	■	
1C	Fluid Head-Nozzle	0.18 mm	H 1535 1B	■	■	opt	opt	
		0.23 mm	H 1535 2B	opt	opt	■	■	
1D	Fluid Head Nozzle Base	J	1535 1A	■	■	■	■	
2	Packing Fluid Head (O-Ring)	C	1580 2	■	■	■	■	
3A	Body*	SB	1525 2	x	■	x	x	
3B		C	1525 3	x	x	■	x	
		O	1525 1	■	x	x	x	
3C		B	1525 1	■	x	x	x	
3D		C+	1525 6	x	x	x	■	
5	Packing Fluid Needle Set (PTFE)	D	1590 2	■	■	■	■	
6	Spring Guide	E	1590 1	■	■	■	■	
7	Needle Chucking Guide	E	1550 1	■	■	■	■	
8	Needle Spring	B	1570 1	■	■	■	■	
9	Needle Spring Adjuster	E	1575 1	■	■	■	■	
10	Fluid Needle	0.18 mm	E 1540 1	■	■	opt	opt	
		0.23 mm	E 1540 2	opt	opt	■	■	
		0.23 mm	E 1540 3	x	x	x	■	
11	Needle Chucking Nut	B	1560 1	■	■	■	■	
12A	Pre-Set Handle Set	H	1585 1	■	■	■	opt	
12B	Pre-Set Handle (Single Cut)	H	1585 2	opt	opt	opt	■	
13	Main Lever	F	1545 1	■	■	x	x	
		F	1545 2	x	x	■	■	
14	Air Piston	B	1500 1	■	■	■	■	

#	ITEM DESCRIPTION	PRICE CODE	ITEM #	CM-B	CM-SB	CM-C	CM-C+	ALSO FITS
15	Auxiliary Lever	B	1515 1	■	■	■	■	
16	Packing Air Piston (O-Ring, 2pcs)	B	1580 1	■	■	■	■	
17	Air Valve Set	H	1510 1	■	■	■	■	
17A	Air Valve Body	F	1510 2	■	■	■	■	
17B	Air Valve	C	1505 1	■	■	■	■	
17C	Air Valve Spring	B	1510 4	■	■	■	■	
17D	Air Valve Guide	B	1510 3	■	■	■	■	
18	Needle Chucking Guide Screw	B	1555 1	■	■	■	■	
19A	Fluid Cup Lid	E	1530 1	x	x	■	opt	
19B	Fluid Cup Lid	E	1618 1	x	x	opt	■	
20	Blanking Cover	B	1045 2	x	■	x	x	
21	Fluid Cup	1/8 oz	G 1070 3	x	■	x	x	
		1/4 oz	G 1070 4	x	■	x	x	
22	Packing Lower Lid (Gasket)	A	1150 5	x	■	x	x	
23	Lower Lid	1/8 oz	B 1095 6	x	■	x	x	
		1/4 oz	C 1095 7	x	■	x	x	
28	Packing Handle (O-Ring)	A	1605 1	x	x	x	■	
29	Micro Air Control Valve	D	1190 1	x	x	x	■	
30	Packing Mac Valve (O-Ring)	A	1190 2	x	x	x	■	
	Spanner (Nozzle Wrench)	B	1165 1	■	■	■	■	
	Quick Fit Set (QD and Adaptor)	H	1160 3	opt	opt	opt	opt	
	Quick Fit Adaptor (Adaptor Only)	C	1160 4	opt	opt	opt	opt	
	Adaptor (Iwata Airbrushes to Paasche Air Hose)		J001	opt	opt	opt	opt	
	Adaptor (Iwata Airbrushes to T & C/Badger Air Hoses)		J002	opt	opt	opt	opt	

*Replacement parts not available.

■ = yes x = no opt = optional

IWATA HI-LINE SERIES

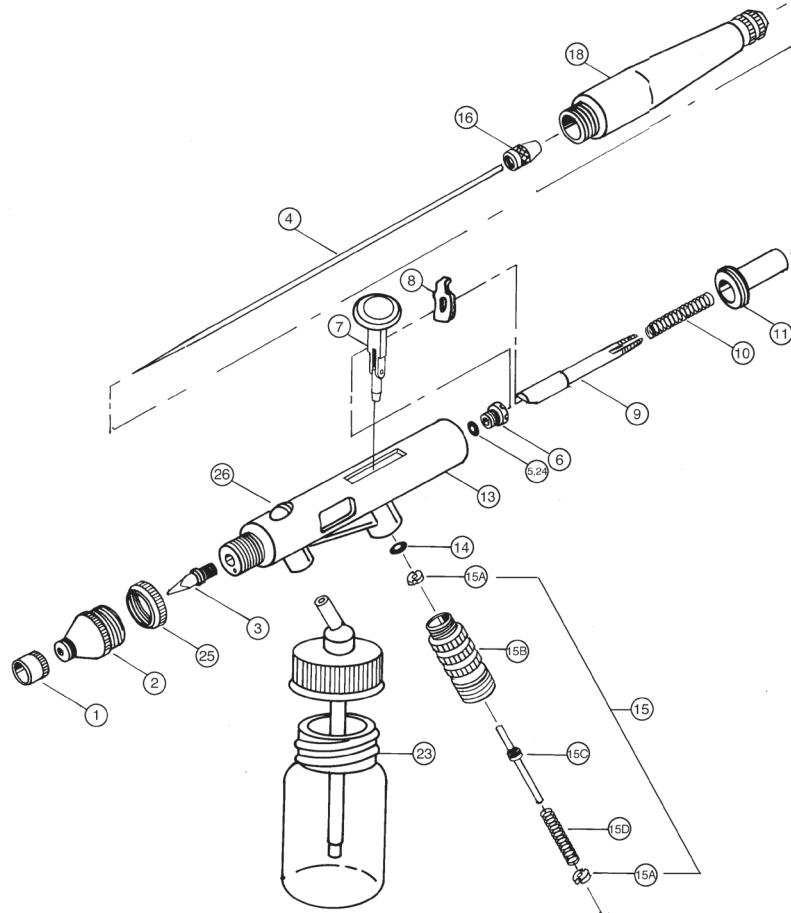


#	ITEM DESCRIPTION	PRICE CODE	ITEM #	HP-AH	HP-BH	HP-CH	ALSO FITS	
1	Needle Cap	B	I 110 1	■	■	x	HP-A/+	
		B	I 110 2	x	x	■	HP-C/+	
2	Nozzle Cap	D	I 140 7	■	■	opt		
		D	I 140 3	opt	opt	■	HP-C/+	
3	Fluid Nozzle	0.20 mm	G	I 080 7	■	■	opt	HP+
		0.30 mm	G	I 080 8	opt	opt	■	HP+
4	Fluid Needle	0.20 mm	C	I 075 1	■	■	opt	HP-A/+
		0.30 mm	C	I 075 3	opt	opt	■	HP-C/+
5	Needle Packing Screw w/PTFE Needle Packing	B	I 125 7	■	■	x		
		B	I 725 1	x	x	■	REV	
7	Main Lever	D	I 100 2	■	■	■	HP-C/+	
9	Needle Chucking Guide w/Auxiliary Lever	C	I 115 7	■	■	x		
		C	I 715 1	x	x	■	REV	
10	Needle Spring	A	I 135 2	■	■	x	HP-A/+	
		A	I 135 1	x	x	■	ECL/REV	
11	Spring Guide	A	I 770 1	■	■	■	REV	
12	Valve Piston	A	I 175 1	■	■	■	HP-A/+	
13A	Body	A		■	x	x		
13B		B		x	■	x		
13C		C		x	x	■		
14	Packing Valve Piston (O-Ring)	A	I 145 1	■	■	■	HP/+	

#	ITEM DESCRIPTION	PRICE CODE	ITEM #	HP-AH	HP-BH	HP-CH	ALSO FITS
15	Air Valve Set	G	I 030 1	■	■	x	HP-A/+
		G	I 030 4	x	x	■	HP-C/+
15A	Air Valve Guide	A	I 025 1	■	■	■	HP/+
15B	Air Valve Body	D	I 020 1	■	■	■	HP/+
15C	Air Valve	B	I 015 1	■	■	x	HP-A/+
		B	I 015 4	x	x	■	HP-C/+
15D	Air Valve Spring	A	I 035 1	■	■	■	HP/+
16	Needle Chucking Nut	A	I 120 1	■	■	■	HP/+
17	Pre-Set Handle Set	G	I 155 6	■	■	■	
25	Fluid Cup Lid	C	I 618 1	x	x	■	HP-C/+
28	Packing Handle (O-Ring)	A	I 605 1	■	■	■	CM-C+
29	Micro Air Control (MAC) Valve	D	I 190 1	■	■	■	CM-C+
30	Packing MAC Valve (O-Ring)	A	I 190 2	■	■	■	CM-C+
	Spanner (Nozzle Wrench)	A	I 165 1	■	■	■	HP/+
	Quick Fit Set (QD Screws Onto Airhose and Adaptor Screws Onto Airbrush)		I 160 3	opt	opt	opt	
	Quick Fit Adaptor (Adaptor Screws Onto Airbrush)		I 160 4	opt	opt	opt	
	Adaptor (Iwata Airbrushes to Paasche Air Hose)		J 001	opt	opt	opt	
	Adaptor (Iwata Airbrushes to T & C/Badger Air Hoses)		J 002	opt	opt	opt	

■ = yes x = no opt = optional

IWATA HIGH PERFORMANCE SERIES - BE1, BE2, E1

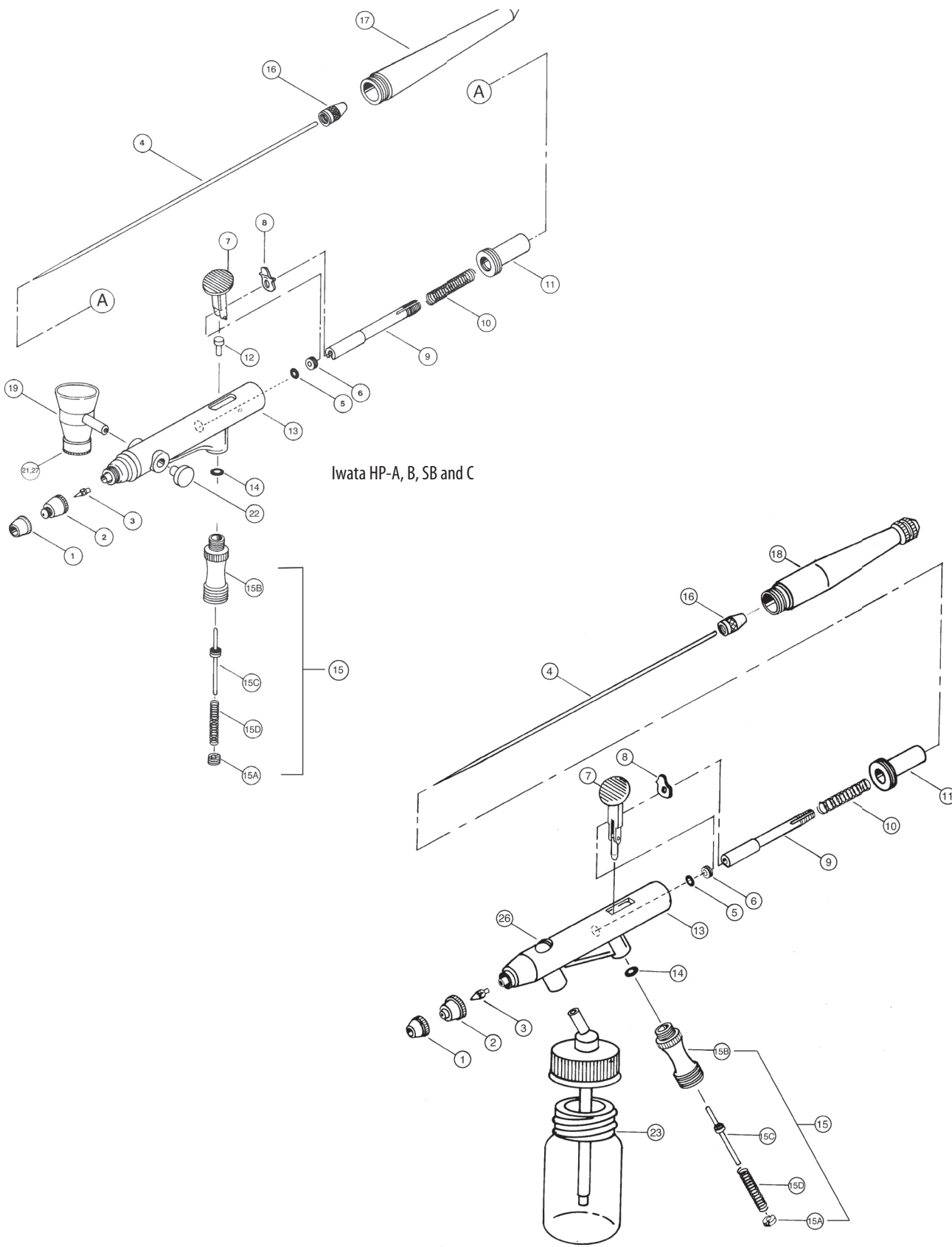


#	ITEM DESCRIPTION	PRICE CODE	ITEM #	HP BE1	HP BE2	HP E1	HP E2
1	Needle Cap	A	I 1005 2	x	x	■	■
		C	I 1103 3	x	x	■	■
2	Nozzle Cap	G	I 1405 5	■	x	■	x
		G	I 1406 6	x	■	x	■
3	Fluid Nozzle	G	I 0805 5	■	x	■	x
		G	I 0806 6	x	■	x	■
4	Fluid Needle 0.6 mm 0.8 mm	D	I 0755 5	■	x	■	x
		D	I 0756 6	x	■	x	■
	Handle	F	I 0903 3	x	x	■	■
5	Packing Fluid Needle (O-Ring)	B	I 1503 3	■	■	■	x
6	Needle Packing Screw	D	I 1252 2	x	x	■	x
		D	I 1254 4	■	■	x	x
6	Needle Packing Set	E	I 1253 3	x	x	x	■
7	Main Lever	G	I 1004 4	x	x	■	■
		G	I 1005 5	■	■	x	x
8	Auxiliary Lever	A	I 0402 2	■	■	■	■
9	Needle Chucking Guide	E	I 1153 3	x	x	■	■
		E	I 1154 4	■	■	x	x
10	Needle Spring	A	I 1354 4	x	x	■	■
		A	I 1355 5	■	■	x	x
11	Spring Guide	D	I 1703 3	■	■	x	x
13	Body	N	I 0506 6	x	x	■	x
		N	I 0507 7	x	x	x	■
		O	I 0508 8	■	x	x	x
		O	I 0509 9	x	■	x	x

#	ITEM DESCRIPTION	PRICE CODE	ITEM #	HP BE1	HP BE2	HP E1	HP E2
14	Packing Air Piston (O-Ring)	A	I 1452 2	■	■	■	■
15	Air Valve Set	H	I 0302 2	■	■	■	■
15A	Air Valve Guide	B	I 0252 2	■	■	■	■
15B	Air Valve Body	F	I 0202 2	■	■	■	■
15C	Air Valve	D	I 0152 2	■	■	■	■
15D	Air Valve Spring	A	I 0352 2	■	■	■	■
16	Needle Chucking Nut	A	I 1203 3	■	■	■	■
18	Pre Set Handle	G	I 1553 3	■	■	x	x
23	Glass Bottles 3/4 oz 11/2 oz	G	I 4052 2	opt	opt	x	x
		G	I 4202 2	■	■	x	x
24	Needle Seat	A	I 1301 1	■	■	■	x
25	Washer	D	I 1801 1	■	x	■	x
		D	I 1802 2	x	■	x	■
26	Blanking Screw	B	I 0451 1	■	■	x	x
	Spanner	B	I 1652 2	■	■	x	x
	Valve Piston	A	I 1752 2	x	x	■	■
	Quick Fit Set (QD Screws Onto Air Hose and Adaptor Screws Onto Airbrush)		I 1603 3	opt	opt	opt	opt
	Quick Fit Adaptor (Adaptor Screws Onto Airbrush)		I 1604 4	opt	opt	opt	opt
	Adaptor (Iwata Airbrushes to Paasche Air Hose)		J 001	opt	opt	opt	opt
	Adaptor (Iwata Airbrushes to T & C/Badger Air Hoses)		J 002	opt	opt	opt	opt

■ = yes x = no opt = optional

IWATA HIGH PERFORMANCE SERIES - A, B, SB, C, BC, BC2



Iwata HP-A, B, SB and C

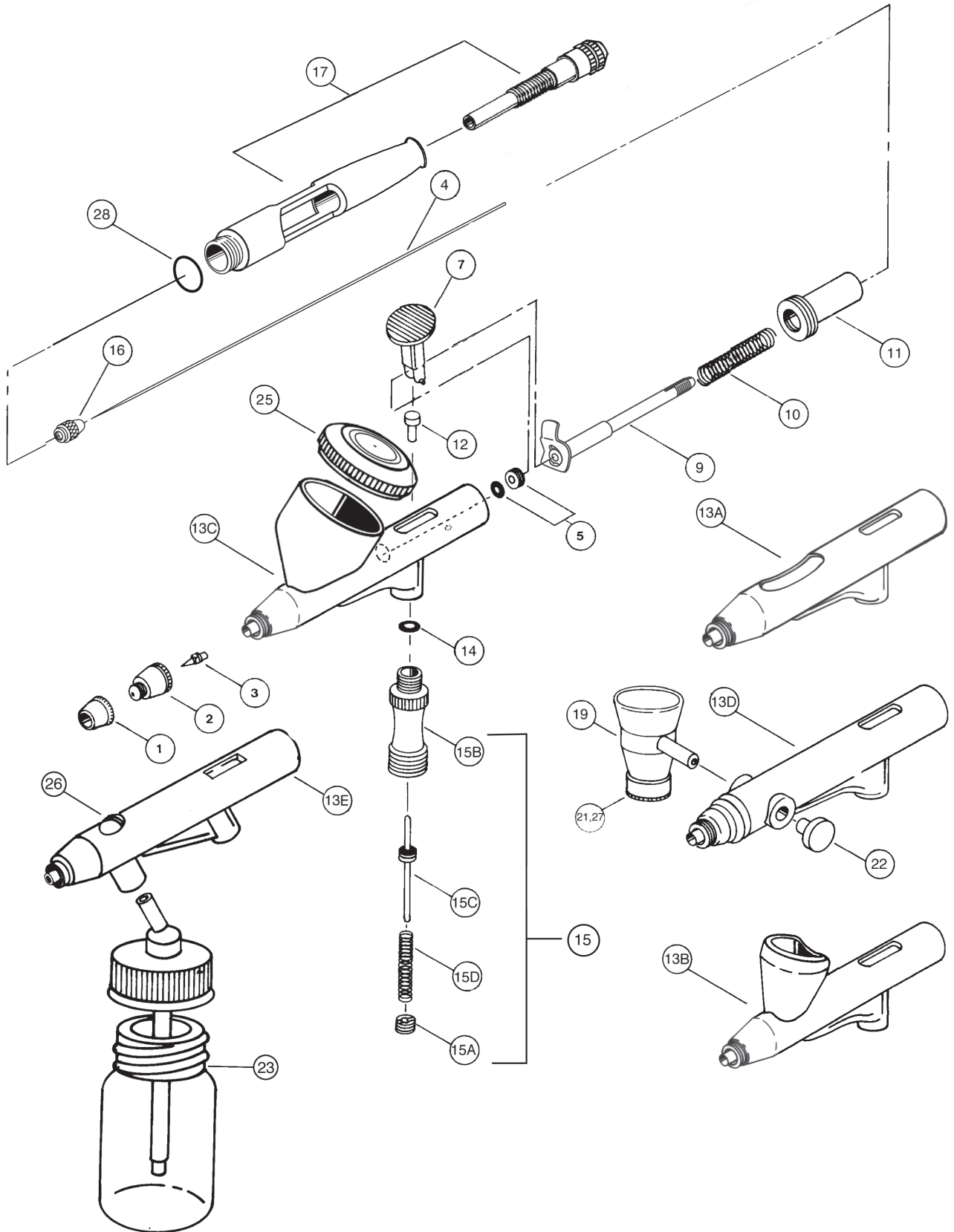
IWATA HIGH PERFORMANCE SERIES - A, B, SB, C, BC, BC2

#	ITEM DESCRIPTION	PRICE CODE	ITEM #	HP A	HP B	HP SB	HP C	HP BC	HP BC2
1	Needle Cap	B	I 110 1	■	■	■	x	x	x
		B	I 110 2	x	x	x	■	■	■
2	Nozzle Cap	D	I 140 1	■	x	x	x	x	x
		D	I 140 2	x	■	■	x	x	x
		D	I 140 3	x	x	x	■	■	opt
		D	I 140 4	x	x	x	opt	opt	■
3	Fluid Nozzle	G	I 080 1	■	x	x	x	x	x
		G	I 080 2	x	■	■	x	x	x
		G	I 080 3	x	x	x	■	■	opt
		G	I 080 4	x	x	x	opt	opt	■
		G	I 085 2	x	x	x	opt	opt	opt
		G	I 085 3	opt	opt	opt	x	x	x
4	Fluid Needle	C	I 075 1	■	x	x	x	x	x
		C	I 075 2	x	■	■	x	x	x
		C	I 075 3	x	x	x	■	■	opt
		C	I 075 4	x	x	x	opt	opt	■
5	Packing Fluid Needle (O-Ring)	A	I 150 1	■	■	■	x	x	x
		A	I 150 2	x	x	x	■	■	■
6	Needle Packing Screw	A	I 125 1	■	■	■	■	■	■
7	Main Lever	D	I 100 1	■	■	■	x	x	x
		D	I 100 2	x	x	x	■	x	x
	Main Lever/Piston	G	I 100 3	x	x	x	x	■	■
8	Auxiliary Lever	A	I 040 1	■	■	■	x	x	x
		A	I 040 4	x	x	x	■	x	x
		A	I 040 5	x	x	x	x	■	■
9	Needle Chucking Guide	C	I 115 1	■	■	■	x	x	x
		C	I 115 2	x	x	x	■	■	■
10	Needle Spring	A	I 135 2	■	■	■	x	x	x
		A	I 135 3	x	x	x	■	■	■
11	Spring Guide	C	I 170 1	■	■	■	x	x	x
		C	I 170 2	x	x	x	■	■	■
12	Valve Piston	A	I 175 1	■	■	■	■	x	x
13	Body	L	I 050 1	■	x	x	x	x	x
		L	I 050 2	x	■	x	x	x	x
		L	I 050 3	x	x	■	x	x	x
		L	I 050 4	x	x	x	■	x	x
		N	I 050 5	x	x	x	x	■	■
14	Packing Air Piston (O-Ring)	A	I 145 1	■	■	■	■	■	■

#	ITEM DESCRIPTION	PRICE CODE	ITEM #	HP A	HP B	HP SB	HP C	HP BC	HP BC2		
15	Air Valve Set	G	I 030 1	■	■	■	x	x	x		
		G	I 030 4	x	x	x	■	■	■		
15A	Air Valve Guide	A	I 025 1	■	■	■	■	■	■		
15B	Air Valve Body	D	I 020 1	■	■	■	■	■	■		
15C	Air Valve	B	I 015 1	■	■	■	x	x	x		
		B	I 015 4	x	x	x	■	■	■		
15D	Air Valve Spring	A	I 035 1	■	■	■	■	■	■		
16	Needle Chucking Nut	A	I 120 1	■	■	■	x	x	x		
		A	I 120 2	x	x	x	■	■	■		
17	Handle	E	I 090 1	■	■	■	x	x	x		
		E	I 090 2	x	x	x	■	x	x		
18	Pre-Set Handle	G	I 155 1	opt	opt	opt	x	x	x		
		G	I 155 2	x	x	x	opt	■	■		
26	Blanking Screw	B	I 045 1	x	x	x	x	■	■		
22	Blanking Cover	A	I 045 2	x	x	■	x	x	x		
23	Glass Bottles	G	I 405 2	x	x	x	x	■	■		
		G	I 420 2	x	x	x	x	opt	opt		
	Spanner	A	I 165 1	■	■	■	■	■	■		
	Conversion Kit (Converts 0.3 mm HP- C and HP- BC to 0.4 mm Size Nozzle - 4 Piece Conversion)	I	I 195 1	x	x	x	■	■	x		
	Crown Cap	D	I 105 0	opt	opt	opt	opt	opt	opt		
	Quick Fit Set (QD Screws Onto Airhose and Adaptor Screws Onto Airbrush)		I 160 3	opt	opt	opt	opt	opt	opt		
	Quick Fit Adaptor (Adaptor Screws Onto Airbrush)		I 160 4	opt	opt	opt	opt	opt	opt		
	Adaptor (Iwata Airbrushes to Paasche Air Hose)		J 001	opt	opt	opt	opt	opt	opt		
	Adaptor (Iwata Airbrushes to T & C/Badger Air Hoses)		J 002	opt	opt	opt	opt	opt	opt		
	Fluid Cup	G	I 070 3	x	x	■	x	x	x		
										Side Cup	1/8 oz
										Side Cup w/Lid	1/4 oz
	Gravity Cup w/Lid	1/2 oz	I 070 6	x	x	opt	x	x	x		
25	Lid	C	I 095 4	x	x	x	■	x	x		
		C	I 095 7	x	x	■	x	x	x		
21	Lid Cover 1/8, 1/4 oz	B	I 095 6	x	x	■	x	x	x		
27	Packing Lower Lid (Gasket)	A	I 150 5	x	x	■	x	x	x		

■ = yes x = no opt = optional

IWATA HIGH PERFORMANCE PLUS SERIES

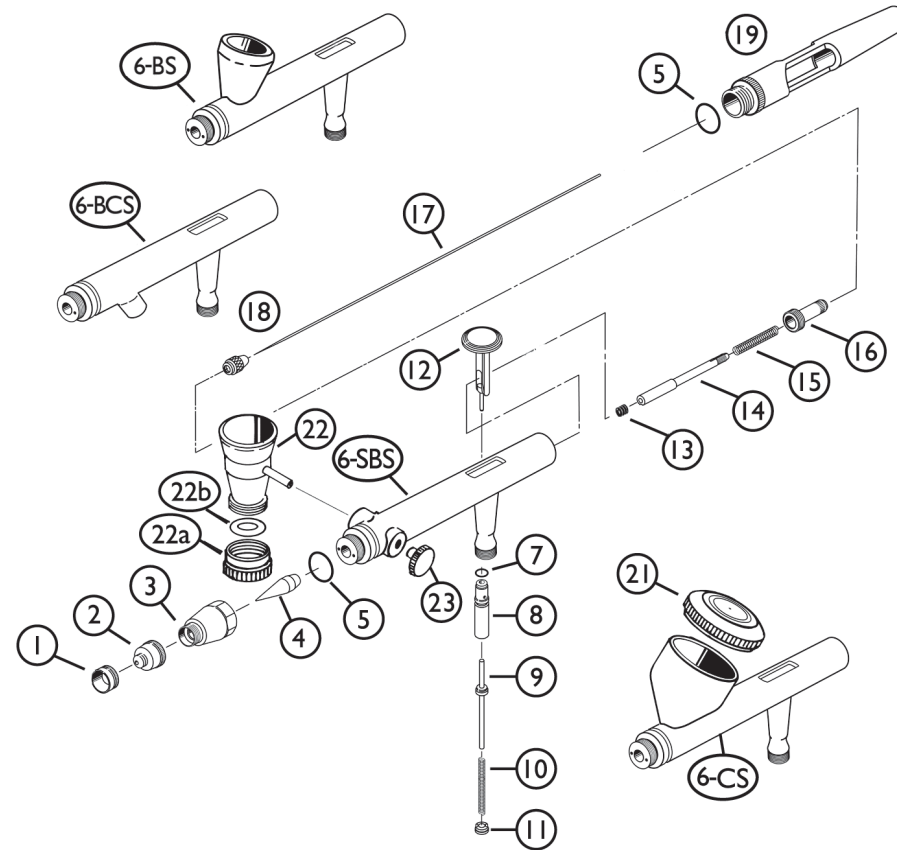


IWATA HIGH PERFORMANCE PLUS SERIES

#	ITEM DESCRIPTION	PRICE CODE	ITEM #	HP A+	HP B+	HP SB+	HP C+	HP BC+	ALSO FITS
1	Needle Cap	B	I 110 1	■	■	■	x	x	HP/HP
		B	I 110 2	x	x	x	■	■	HP/HP
2	Nozzle Cap	D	I 140 1	■	■	■	x	x	HP/HP
		D	I 140 3	x	x	x	■	■	HP/HP
3	Fluid Nozzle	G	I 080 7	■	■	■	x	x	HP
		G	I 080 8	x	x	x	■	■	HP
4	Fluid Needle	C	I 075 1	■	■	■	x	x	HP/HP
		C	I 075 3	x	x	x	■	■	HP/HP
5	Needle Packing Screw w/PTFE Packing	B	I 125 7	■	■	■	x	x	
		B	I 725 1	x	x	x	■	■	REV
7	Main Lever	D	I 100 1	■	■	■	x	x	HP
		D	I 100 2	x	x	x	■	x	HP/HP
		G	I 100 3	x	x	x	x	■	HP
9	Needle Chucking Guide w/Auxiliary Lever	C	I 115 7	■	■	■	x	x	
		C	I 715 1	x	x	x	■	■	HP/REV
10	Needle Spring	A	I 135 2	■	■	■	x	x	HP/HP/ECL
		A	I 135 3	x	x	x	■	■	HP
11	Spring Guide	C	I 170 6	■	■	■	x	x	
		C	I 770 1	x	x	x	■	■	HP/REV
12	Valve Piston	A	I 175 1	■	■	■	■	x	HP/HP
13A	Body			■	x	x	x	x	
13B				x	■	x	x	x	
13C				x	x	■	x	x	
13D				x	x	x	■	x	
13E				x	x	x	x	■	
14	Packing Air Piston (O-Ring)	A	I 145 1	■	■	■	■	■	HP/HP
15	Air Valve Set	G	I 030 1	■	■	■	x	x	HP/HP
		G	I 030 4	x	x	x	■	■	HP/HP
15A	Air Valve Guide	A	I 025 1	■	■	■	■	■	HP/HP
15B	Air Valve Body	D	I 020 1	■	■	■	■	■	HP/HP
15C	Air Valve	B	I 015 1	■	■	■	x	x	HP/HP
		B	I 015 4	x	x	x	■	■	HP/HP
15D	Air Valve Spring	A	I 035 1	■	■	■	■	■	HP/HP
16	Needle Chucking Nut	A	I 120 1	■	■	■	■	■	HP/HP

#	ITEM DESCRIPTION	PRICE CODE	ITEM #	HP A+	HP B+	HP SB+	HP C+	HP BC+	ALSO FITS
17	Pre-Set Handle Set	G	I 155 5	■	■	■	x	x	HP
		G	I 155 6	x	x	x	■	■	HP/HP
19	Fluid Cup								
		G	I 070 3	x	x	■	x	x	CM/HP/ECL
		I 070 4	x	x	opt	x	x	CM/HP/ECL	
	Gravity Cup w/Lid 1/2 oz		I 070 6	x	x	opt	x	x	CM/HP/ECL
21	Lid lower 1/8, 1/4 oz	B	I 095 6	x	x	■	x	x	CM/HP/ECL
22	Blanking Cover	A	I 045 2	x	x	■	x	x	CM/HP/ECL
23	Glass Bottles	G	I 405 2	x	x	x	x	■	HP
		G	I 420 2	x	x	x	x	opt	HP
25	Fluid Cup Lid	C	I 618 1	x	x	x	■	x	HP/HP
		C	I 095 7	x	x	opt	x	x	CM/HP/ECL
26	Blanking Screw	B	I 045 1	x	x	x	x	■	HP
27	Packing Lower Lid (Gasket)	A	I 150 5	x	x	x	x	x	CM/HP/ECL
	Spanner	A	I 165 1	■	■	■	■	■	HP/HP
	Conversion Kit (Converts 0.3 mm HP- C and HP- BC to 0.4 mm Size Nozzle - 4 Piece Conversion)	I	I 195 1	x	x	x	■	■	
	Crown Cap	D	I 105 0	opt	opt	opt	opt	opt	
	Quick Fit Set (QD Screws Onto Airhose and Adaptor Screws Onto Airbrush)		I 160 3	opt	opt	opt	opt	opt	
	Quick Fit Adaptor (Adaptor Screws Onto Airbrush)		I 160 4	opt	opt	opt	opt	opt	
	Adaptor (Iwata Airbrushes to Paasche Air Hose)		J 001	opt	opt	opt	opt	opt	
	Adaptor (Iwata Airbrushes to T & C/Badger Air Hoses)		J 002	opt	opt	opt	opt	opt	
	Side-Feed Bottles								
	Side-Feed Bottle 1 oz-Clear		I 450 1S	x	x	opt	x	x	CM/HP/ECL
	Side-Feed Bottle 2 oz-Clear		I 450 2S	x	x	opt	x	x	CM/HP/ECL
	Side-Feed Bottle 2 oz-HS		I 470 1S	x	x	opt	x	x	CM/HP/ECL
	Side-Feed Bottle 2 oz-HS		I 470 2S	x	x	opt	x	x	CM/HP/ECL

IWATA ECLIPSE SERIES - BCS, SBS, CS, BS

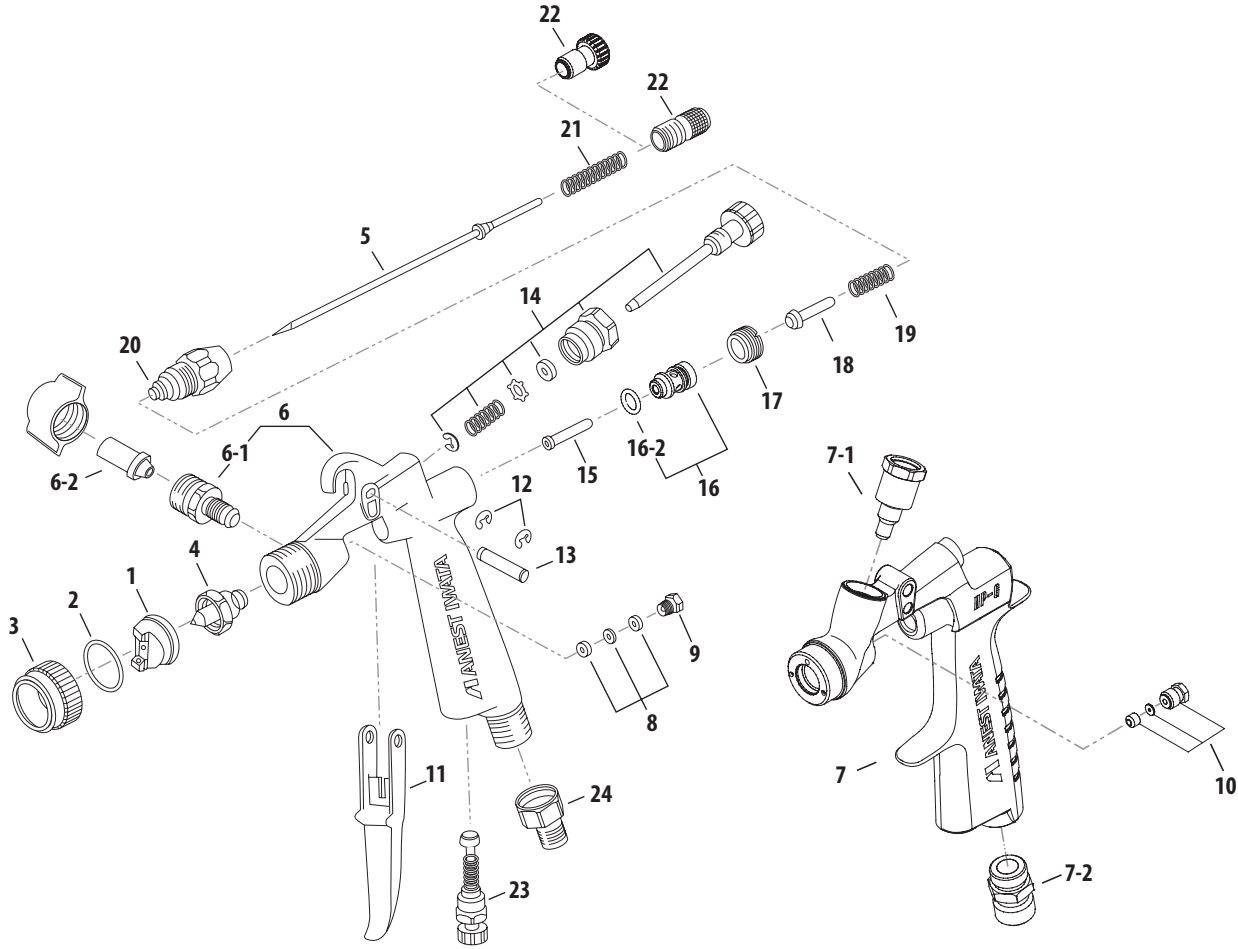


#	ITEM DESCRIPTION	PRICE CODE	ITEM #	HP BCS	HP BS	HP CS	HP SBS	ALSO FITS
1	Needle Cap	A	16011	■	■	■	■	
2	Nozzle Cap	0.50 mm	B	16021	■	x	x	x
		0.35 mm	C	16022	x	■	■	■
3	Head Cap	C	16031	■	■	■	■	
4	Nozzle	0.50 mm	C	16041	■	opt	opt	opt
		0.35 mm	E	16042	opt	■	■	■
5	Packing Head O-Ring	A	16051	■	■	■	■	
6	Body	BCS	J	16061	■	x	x	x
		CS	K	16062	x	x	■	x
		SBS	K	16063	x	■	x	x
		BS	I	16064	x	x	x	■
7	Packing-Valve Piston O-Ring	B	15801	■	■	■	■	ICM-B
8	Air Valve Guide Body	B	16081	■	■	■	■	
9	Air Valve	A	16091	■	■	■	■	
10	Air Valve Spring	A	15104	x	■	■	■	ICM-B
11	Air Valve Guide Screw	A	16111	■	■	■	■	
12	Main Lever (Trigger)	C	16121	■	■	■	■	
13	Needle Chucking Set (PTFE)	A	10405	■	■	■	■	HP-BC, BC2
14	Needle Chucking Guide		C	17151	■	■	■	■
			A	11352	■	x	x	x
		A	11351	x	■	■	■	
16	Spring Guide	C	11702	■	■	■	■	HP-C
17	Needle	0.50 mm	B	16171	■	opt	opt	opt
		0.35 mm	B	16172	opt	■	■	■
18	Needle Chucking Nut	A	11202	■	■	■	■	HP-C

#	ITEM DESCRIPTION	PRICE CODE	ITEM #	HP BCS	HP BS	HP CS	HP SBS	ALSO FITS
19	Single Cut Handle	E	16191	■	■	■	■	
	Pre-Set Handle	G	11552	opt	opt	opt	opt	HP-C
	Crown Cap	G	11050	opt	opt	opt	opt	HP-C
	Bottles 2 oz (See Price List for Other Sizes)		14802	■	x	x	x	BC/BC2
21	Lid							
	Eclipse CS	C	16181	x	x	■	opt	
	Side Cup 1/4 oz	C	10957	x	x	x	opt	HP-SB
	Gravity Cup 1/3 oz	C	10958	x	x	opt	opt	HP-SB
	Gravity Cup 1/2 oz	C	10958	x	x	x	opt	HP-SB
22	Fluid Cup							
	Side Cup 1/8 oz	G	10703	x	x	x	■	HP-SB
	Side Cup w/Lid 1/4 oz	G	10704	x	x	x	opt	HP-SB
	Gravity Cup w/Lid 1/2 oz	G	10706	x	x	x	opt	HP-SB
22a	Lower Lid 1/8, 1/4 oz	B	10956	x	x	x	■	HP-SB
22b	Packing Lower Lid	A	11505	x	x	x	■	HP-SB
23	Blanking Cover	A	10452	x	x	x	■	HP-SB
	Quick Fit Set (Quick Disconnect that Screws Onto the Air Hose and an Adaptor that Screws Onto the Airbrush)		11603	opt	opt	opt	opt	
	Quick Fit Adaptor (Adaptor that Screws onto the Airbrush)		11604	opt	opt	opt	opt	

■ = yes x = no opt = optional

IWATA ECLIPSE G-SERIES

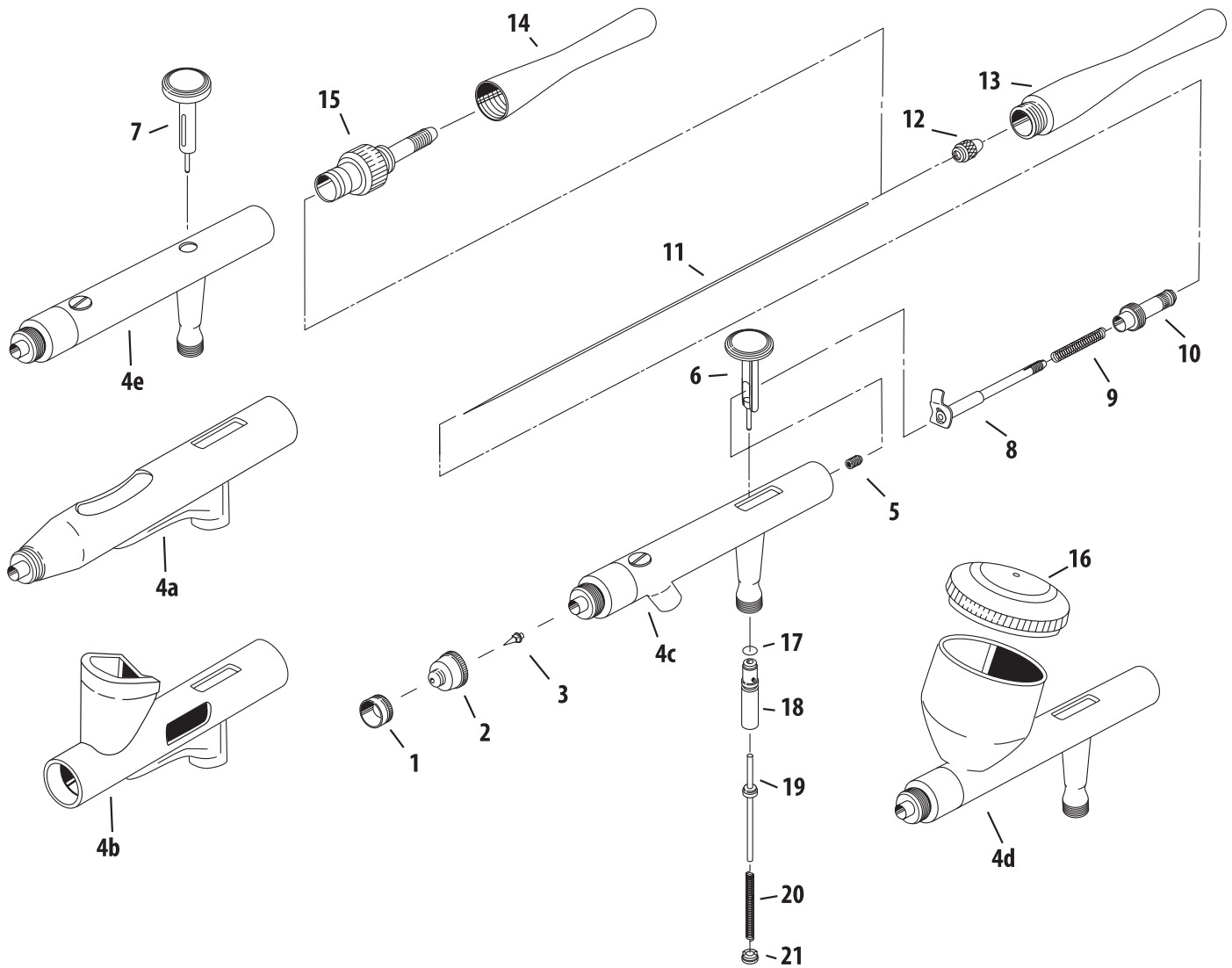


#	ITEM DESCRIPTION	PRICE CODE	ITEM #	G3	G5	G6	ALSO FITS
1	Air Cap 0.6 mm	H	I 600 1	opt	opt	■	
	0.3 mm	J	I 600 4	■	opt	opt	
	0.5 mm	J	I 600 5	opt	■	opt	
2	Air Cap Packing	A	I 600 2	■	■	■	
3	Air Cap Cover Ring	C	I 600 3	■	■	■	
4	Fluid Head-Nozzle 0.6 mm	I	I 604 4	opt	opt	■	
	0.3 mm	I	I 604 5	■	opt	opt	
	0.5 mm	I	I 604 6	opt	■	opt	
5	Fluid Needle 0.6 mm	F	I 617 4	x	x	■	
	Duplex Needle 0.3/0.5 mm		I 617 5	■	■	x	
6	Airbrush Body Set (G-6)	O	I 307 1	x	x	■	LPH-50
6-1	Fluid Cup Joint	D	I 212 2	x	x	■	RG-3/LPH-50
6-2	Bottle Joint Adapter	F	I 623 1	x	x	■	(Opt) RG-3/LPH-50
7	Airbrush Body Set (G-3/G-5)	O	I 307 2	■	■	x	
7-1	Fluid Nipple	D	I 650 1	x	x	■	
7-2	Air Nipple	B	I 680 1	x	x	■	
8	Fluid Needle Packing	D	I 215 2	x	x	■	RG-3/LPH-50
9	Needle Packing Seat	A	I 219 2	x	x	■	RG-3/LPH-50
10	Needle Packing Set	D	I 640 1	■	■	x	
11	Trigger	C	I 233 1	■	■	■	RG-3/LPH-50
12	E Stopper 2 pcs/pk	A	I 332 1	■	■	■	LPH-50
13	Trigger Stud	A	I 234 1	■	■	■	RG-3/LPH-50
14	Pattern Adjustment Set	H	I 625 2	■	■	x	
		G	I 625 1	x	x	■	

#	ITEM DESCRIPTION	PRICE CODE	ITEM #	G3	G5	G6	ALSO FITS
15	Air Valve Shaft	C	I 202 3	■	■	■	RG-3/LPH-50
16	Air Valve Seat Set	F	I 205 2	x	x	■	RG-3/LPH-50
16-1	Gasket Air Valve Seat		I 217 1	x	x	■	
16-2	O-Ring	A	I 660 1	■	■	x	
17	Air Valve Seat Screw	A	I 205 3	■	■	■	RG-3/LPH-50
18	Air Valve	C	I 202 2	■	■	■	RG-3/LPH-50
19	Air Valve Spring	A	I 206 2	■	■	■	RG-3/LPH-50
20	Fluid Adjustment Guide Set	F	I 208 2	■	■	■	RG-3/LPH-50
21	Needle Spring	B	I 225 2	■	■	■	RG-3/LPH-50
22	Fluid Adjusting Knob	C	I 209 1	x	x	■	RG-3
			I 670 1	■	■	x	
23	Air Adjusting Set	D	I 626 1	x	x	■	
			I 626 2	■	■	x	
24	Airhose Adapter (1/4"-1/8")	D	I 624 1	x	x	■	(Opt) RG-3/LPH-50
	3 oz Fluid Bottle		I 480 3	x	x	opt	
	4 oz Fluid Bottle (PC-61)		I 210 1	x	x	opt	
	Spanner		I 230 1	x	x	opt	
	Fluid Cup		4 oz	I 480 4	x	x	opt
		7 oz (PC-51)	I 210 2	x	x	opt	
		8 oz (PC-5)	I 210 3	x	x	opt	
	Fluid Cup Lid		(PC-61)	I 211 1	x	x	opt
		(PC-51)	I 211 2	x	x	opt	
		(PC-5)	I 211 3	x	x	opt	

■ = yes x = no opt = optional

IWATA REVOLUTION SERIES AR, BR, BCR, CR & SAR

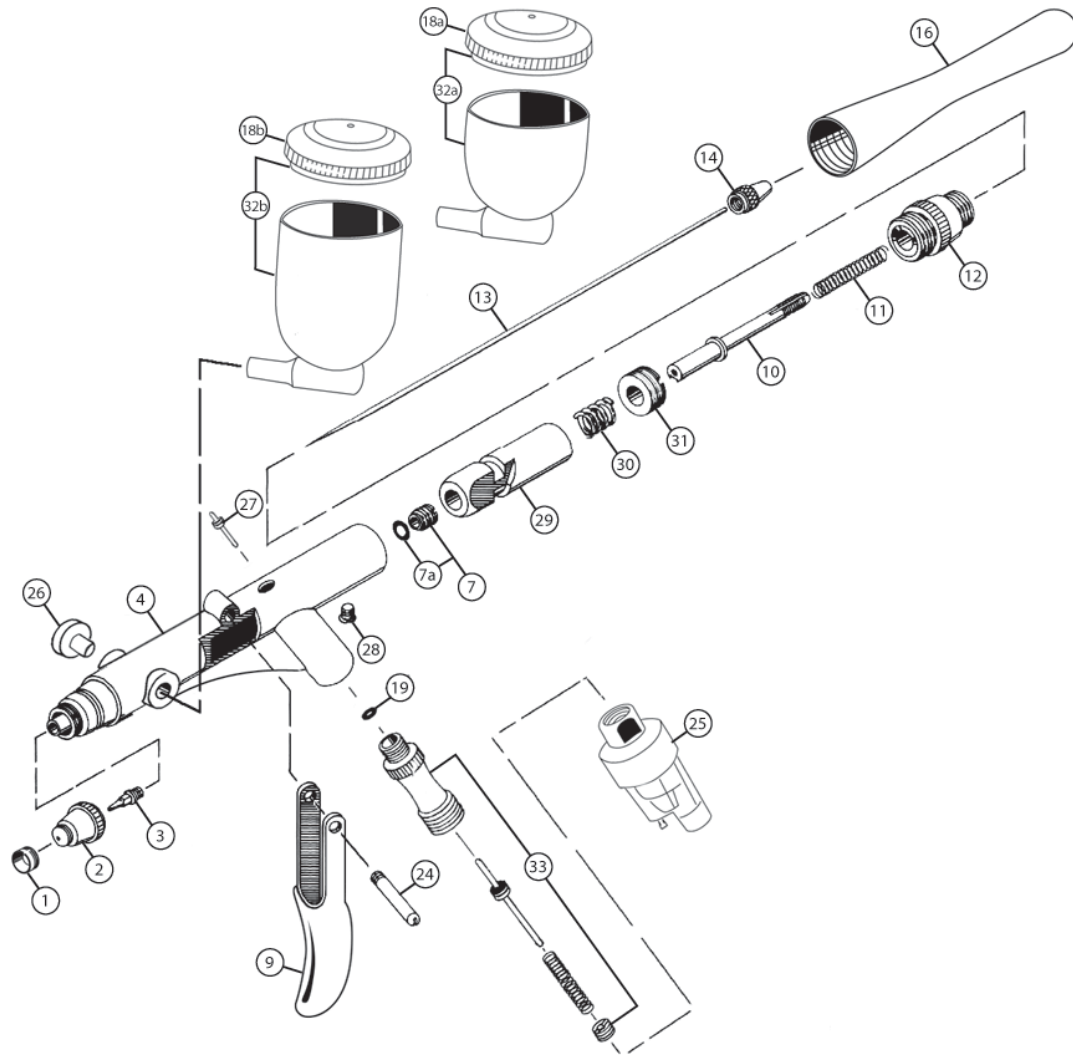


#	ITEM DESCRIPTION	PRICE CODE	ITEM #	HP AR	HP BR	HP BCR	HP CR	HP SAR	ALSO FITS
1	Needle Cap	A	17011	opt	opt	■	■	■	
		A	17012	■	■	opt	opt	opt	
2	Nozzle Cap 0.5 mm	C	17021	opt	opt	■	■	■	
		C	17022	■	■	opt	opt	opt	
3	Nozzle 0.5 mm	E	17041	opt	opt	■	■	■	
		E	17042	■	■	opt	opt	opt	
4a	Body HP-AR	J	17064	■	x	x	x	x	
4b	Body HP-BR	J	17065	x	■	x	x	x	
4c	Body HP-BCR	J	17061	x	x	■	x	x	
4d	Body HP-CR	J	17062	x	x	x	■	x	
4e	Body HP-SAR	J	17063	x	x	x	x	■	
5	PTFE Needle 0.5 mm	B	17251	opt	opt	■	■	■	
		B	17257	■	■	opt	opt	opt	
6	Main Lever (Trigger)	C	16121	■	■	■	■	x	
7	Main Lever (Trigger)	C	16122	x	x	x	x	■	
8	Needle Chucking Guide w/Aux Lever	C	11157	■	■	x	x	■	
		C	11151	x	x	■	■	x	

#	ITEM DESCRIPTION	PRICE CODE	ITEM #	HP AR	HP BR	HP BCR	HP CR	HP SAR	ALSO FITS
9	Needle Spring	A	11351	■	■	■	■	x	HP-BS
10	Spring Guide	B	17701	■	■	■	■	x	
11	Needle 0.5 mm	B	17171	opt	opt	■	■	■	HP-BCS
		B	17173	■	■	opt	opt	opt	
12	Needle Chucking Nut	A	11202	■	■	■	■	■	HP-B, A
13	Ergonomic Handle	D	17191	■	■	■	■	x	
	Pre-Set Handle	D	11552	opt	opt	opt	opt	x	
	Pre-Set Cut-Away Handle	D	11556	opt	opt	opt	opt	x	
14	Ergonomic Handle		17192	x	x	x	x	■	
15	Fluid Adjustment Knob	D	17221	x	x	x	x	■	
16	Lid	C	17181	x	x	x	■	x	
17	Packing Valve Piston (O-Ring)	B	15801	■	■	■	■	■	HP-BCS
18	Valve Guide Body	B	16081	■	■	■	■	■	HP-BCS
19	Air Valve	A	16091	■	■	■	■	■	HP-BCS
20	Air Valve Spring	A	10351	■	■	■	■	■	HP-BCS
21	Air Valve Guide Screw	B	16111	■	■	■	■	■	
	Spanner (The Iwata Wrench)	A	17651	■	■	■	■	■	

■ = yes x = no opt = optional

IWATA REVOLUTION SERIES - TR1 AND TR2

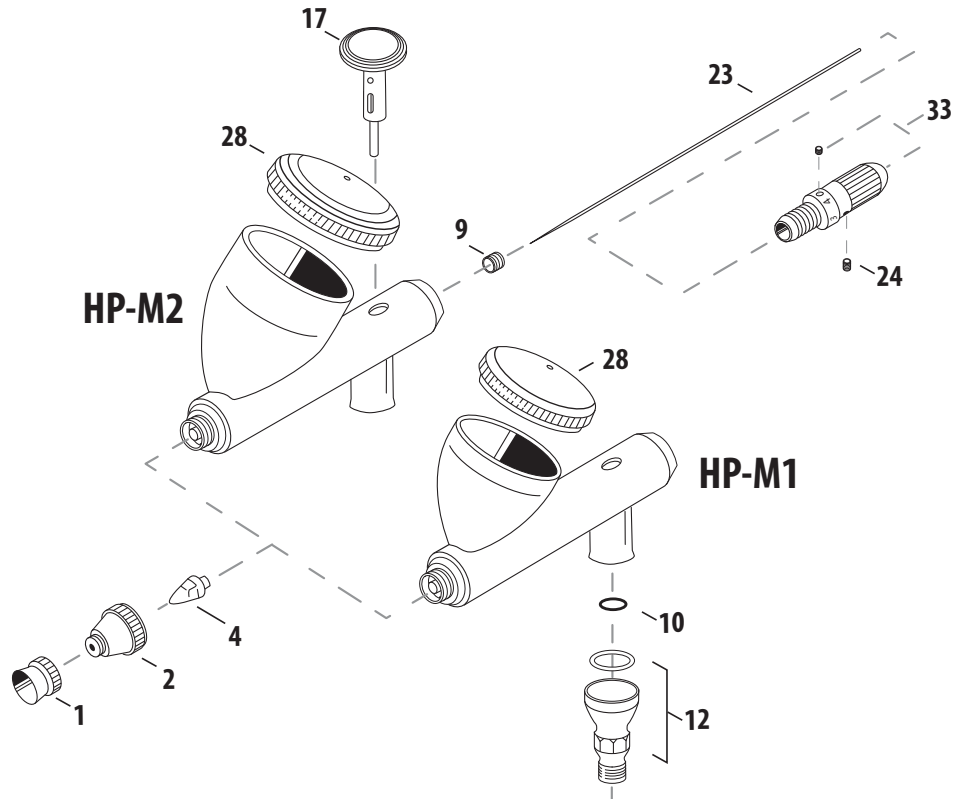


#	ITEM DESCRIPTION	PRICE CODE	ITEM #	HP-TR1	HP-TR2	ALSO FITS
1	Needle Cap	0.30 mm	A 1701 3	■	opt	
		0.50 mm	A 1701 1	opt	■	BCR, CR, SAR
2	Nozzle Cap	0.30 mm	C 1702 2	■	opt	AR, BR
		0.50 mm	C 1702 1	opt	■	BCR, CR, SAR
3	Nozzle	0.20 mm	G 1704 3	opt	opt	
		0.30 mm	C 1704 2	■	opt	AR, BR
		0.50 mm	C 1704 1	opt	■	BCR, CR, SAR
4	Body		I706 6	■	x	
			I706 7	x	■	
7	Needle Packing Screw	C	I725 2	■	■	
7a	Needle Packing (O-Ring)	A	I150 2	■	■	
9	Trigger	I	I714 1	■	■	
10	Needle Chucking Guide	F	I715 2	■	■	
11	Needle Spring		A 1770 3	■	■	
12	Spring Guide	H	I770 2	■	■	
13	Needle	0.30 mm	C 1717 4	■	opt	
		0.50 mm	C 1717 5	opt	■	
14	Needle Chucking Nut	A	I120 2	■	■	All
16	Handle	D	I719 2	■	■	SAR

#	ITEM DESCRIPTION	PRICE CODE	ITEM #	HP-TR1	HP-TR2	ALSO FITS
18a	Cup Lid	C	I718 1	■	x	CR, CS, C, C+, CH, CM-C
18b	Cup Lid	F	I718 2	x	■	
19	Valve Packing (O-Ring)	A	I145 1	■	■	HP, HP+, HI-LINE
24	Trigger Screw	C	I714 2	■	■	
25	Pistol-Grip Filter	F	F A450	■	■	All
26	Blanking Cover	A	I045 2	■	■	SBS, SB, SB+, CM-SB
27	Valve Piston	C	I713 1	■	■	
28	Main Body Ring Screw	A	I731 2	■	■	
29	Slide Cam	I	I730 1	■	■	
30	Slide Cam Spring	B	I730 2	■	■	
31	Main Body Ring	D	I731 1	■	■	
32a	Gravity Side Cup	1/3 oz	G 1720 1	■	x	SBS, SB, SB+, CM-SB
32b	Gravity Side Cup	1/2 oz	G 1070 6	x	■	SBS, SB, SB+, CM-SB
33	Air Valve Set 2pcs. Spanner	G	I712 1	■	■	
		A	I165 1	■	■	

■ = yes x = no opt = optional

IWATA REVOLUTION SERIES - M SERIES

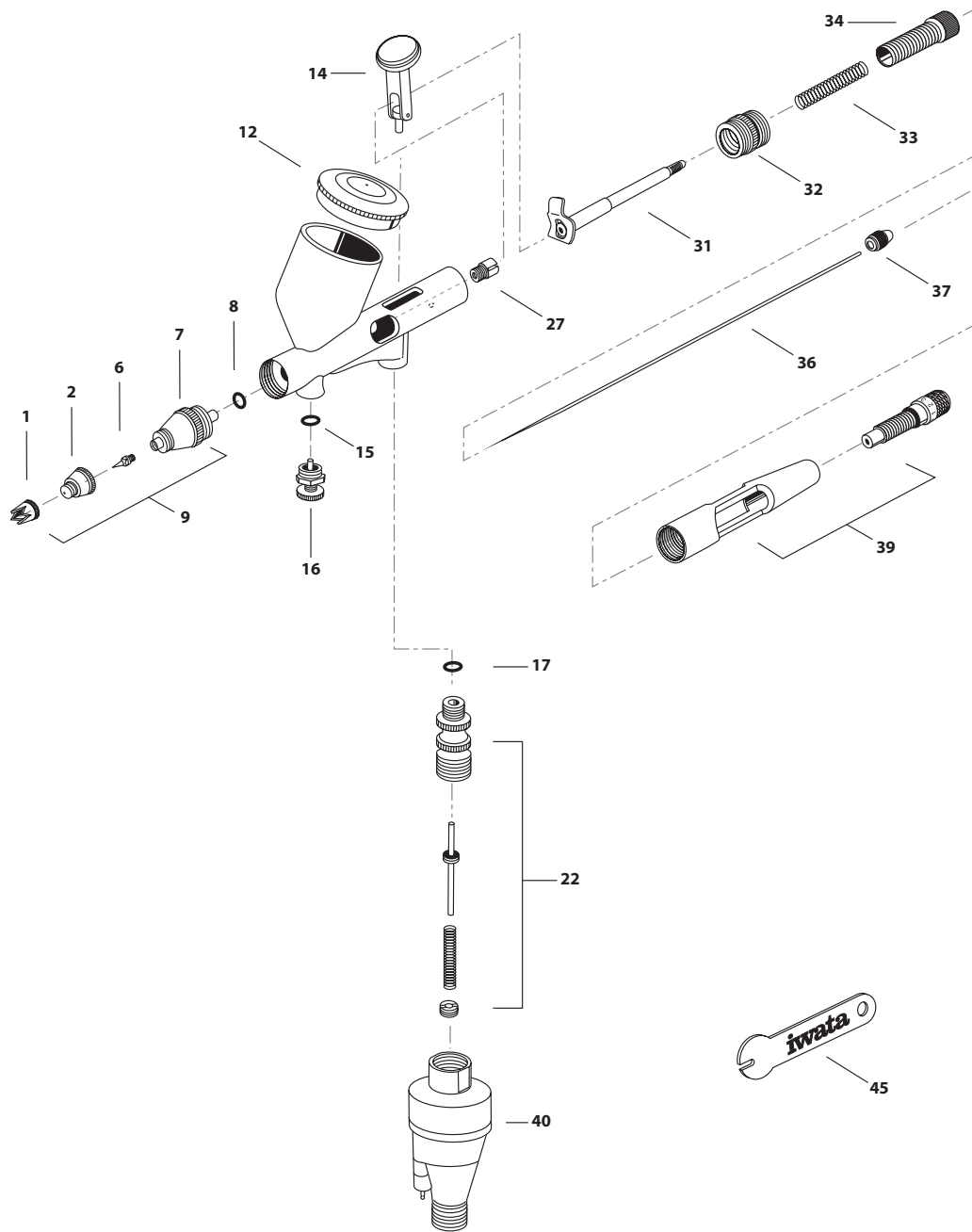


#	ITEM DESCRIPTION	PRICE CODE	ITEM #	HP-M1	HP-M2	ALSO FITS
1	Needle Cap HP-M1 .3mm	A	I 701 4	■	x	
	Needle Cap HP-M2 .4mm	A	I 701 5	x	■	
2	Nozzle Cap HP-M1 .3mm	C	I 702 4	■	x	
	Nozzle Cap HP-M2 .4mm	C	I 702 5	x	■	
4	Nozzle HP-M1 .3mm	E	I 704 4	■	x	
	Nozzle HP-M2 .4mm	E	I 704 5	■	x	
9	Needle Packing Screw	B	I 725 4	■	■	
10	Piston O-Ring	A	I 145 1	■	■	
12	Air Valve Set	F	I 1712 2	■	■	

#	ITEM DESCRIPTION	PRICE CODE	ITEM #	HP-M1	HP-M2	ALSO FITS
17	Main Lever	C	I 714 3	■	■	
23	Needle HP-M1 .3 mm	E	I 717 6	■	x	
	Needle HP-M2 .4 mm	E	I 717 7	x	■	
24	Needle Chucking Nut	A	I 715 3	■	■	
28	Lid HP-M1	C	I 718 3	■	x	
	Lid HP-M2	C	I 718 4	■	x	
33	Fluid Adjustment Valve	F	I 722 2	■	■	
32	Spanner	A	I 765 1	■	■	

■ = yes x = no opt = optional

IWATA KUSTOM SERIES - CUSTOM MICRON CM

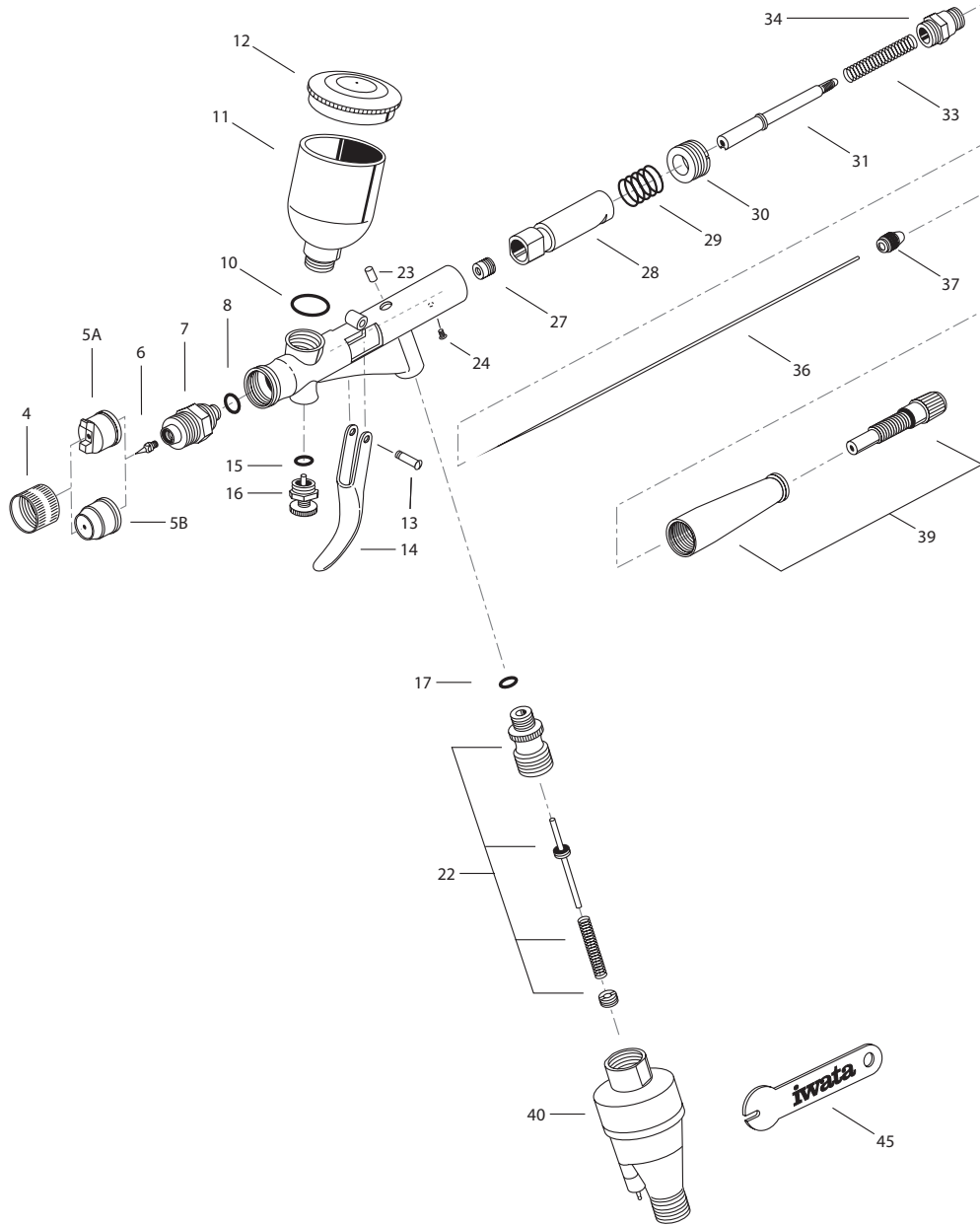


#	ITEM DESCRIPTION	PRICE CODE	ITEM #	K 9000	ALSO FITS
1	Needle Cap	D	I 535 1D	■	
2	Nozzle Cap 0.23mm	G	I 535 2C	■	
6	Fluid Nozzle 0.23mm	H	I 535 2B	■	
7	Head System Base	J	I 535 1A	■	
8	Packing Fluid Head	C	I 580 2	■	
9	Fluid Head System 0.23mm	L	I 535 2	■	
12	Cup Lid	L	I 718 1	■	REV CR
14	Main Lever	C	I 545 3	■	
15	Packing MAC Valve	C	I 190 2	■	
16	Micro Air Control Valve	D	I 190 1	■	
27	Needle Packing Set	D	I 590 2	■	

#	ITEM DESCRIPTION	PRICE CODE	ITEM #	K 9000	ALSO FITS
31	Needle Chucking Guide with Auxiliary Lever	C	I 115 7	■	
32	Spring Guide Screw	C	I 565 2	■	
33	Spring	B	I 570 1	■	
34	Needle Spring Adjuster	E	I 575 1	■	
36	Fluid Needle 0.23mm	E	I 540 3	■	
37	Needle Chucking Nut	A	I 120 1	■	
39	Pre-Set Cutaway Handle	H	I 585 3	■	
17	Packing Air Valve	B	I 580 1	■	
22	Air Valve Set	H	I 510 1	■	
40	Pistol-Grip Filter	N/A	FA 450	■	
45	Spanner Wrench	A	I 165 1	■	

■ = yes x = no opt = optional

IWATA KUSTOM SERIES - HI-LINE TH

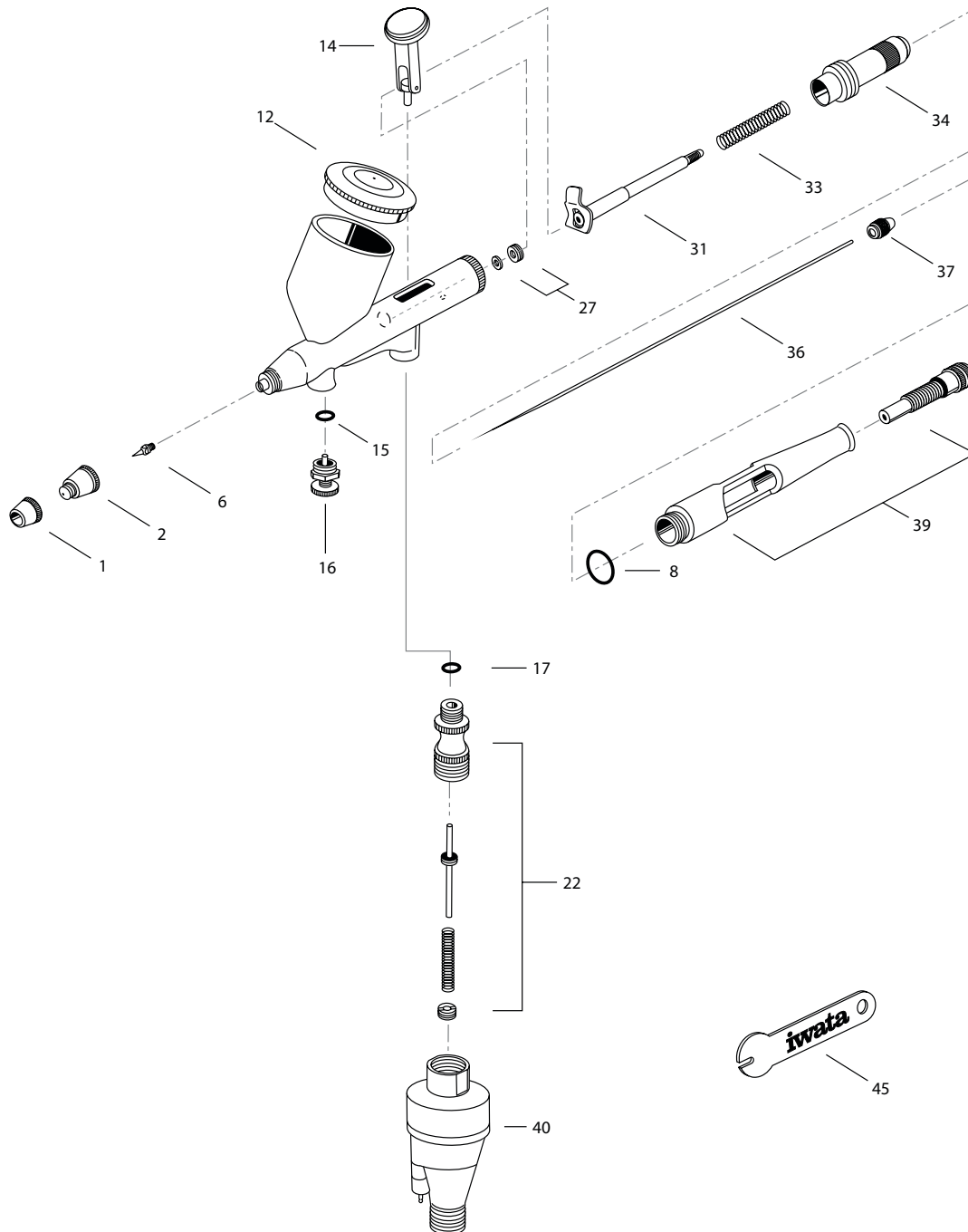


#	ITEM DESCRIPTION	PRICE CODE	ITEM #	K 9200	ALSO FITS
4	Cover Ring	C	I 110 7	■	
5A	Air Cap (Fan Pattern)	G	I 110 5	■	
5B	Air Cap (Round Pattern)	G	I 110 6	■	
6	Fluid Nozzle 0.50mm	G	I 081 1	■	
7	Head Base	H	I 082 1	■	
8	Packing Head Base	A	I 083 1	■	
10	Packing Center Cup	A	I 150 7	■	
11	Center Cup	H	I 070 8	■	
12	Cup Lid	C	I 718 2	■	
13	Trigger Screw	C	I 714 2	■	
14	Trigger	I	I 714 1	■	
15	Packing MAC Valve	A	I 190 2	■	
16	Micro Air Control Valve	D	I 190 1	■	
24	Main Body Ring Screw	C	I 731 2	■	
27	Needle Packing Set	D	I 125 8	■	

#	ITEM DESCRIPTION	PRICE CODE	ITEM #	K 9200	ALSO FITS
28	Slide Cam	I	I 730 1	■	
29	Slide Cam Spring	B	I 730 2	■	
30	Main Body Ring	D	I 731 1	■	
31	Needle Chucking Guide	F	I 715 2	■	
33	Spring	A	I 770 3	■	
34	Spring Guide	E	I 170 7	■	
36	Fluid Needle 0.50mm	C	I 075 7	■	
37	Needle Chucking Nut	A	I 120 1	■	
39	Pre-Set Handle	G	I 155 9	■	
17	Packing Air Valve	A	I 145 1	■	
22	Air Valve Set	G	I 712 1	■	
23	Valve Rod	C	I 713 1	■	
40	Pisto-Grip Filter	N/A	FA 450	■	
45	Spanner Wrench	A	I 165 1	■	

■ = yes x = no opt = optional

IWATA KUSTOM SERIES - HI-LINE CH

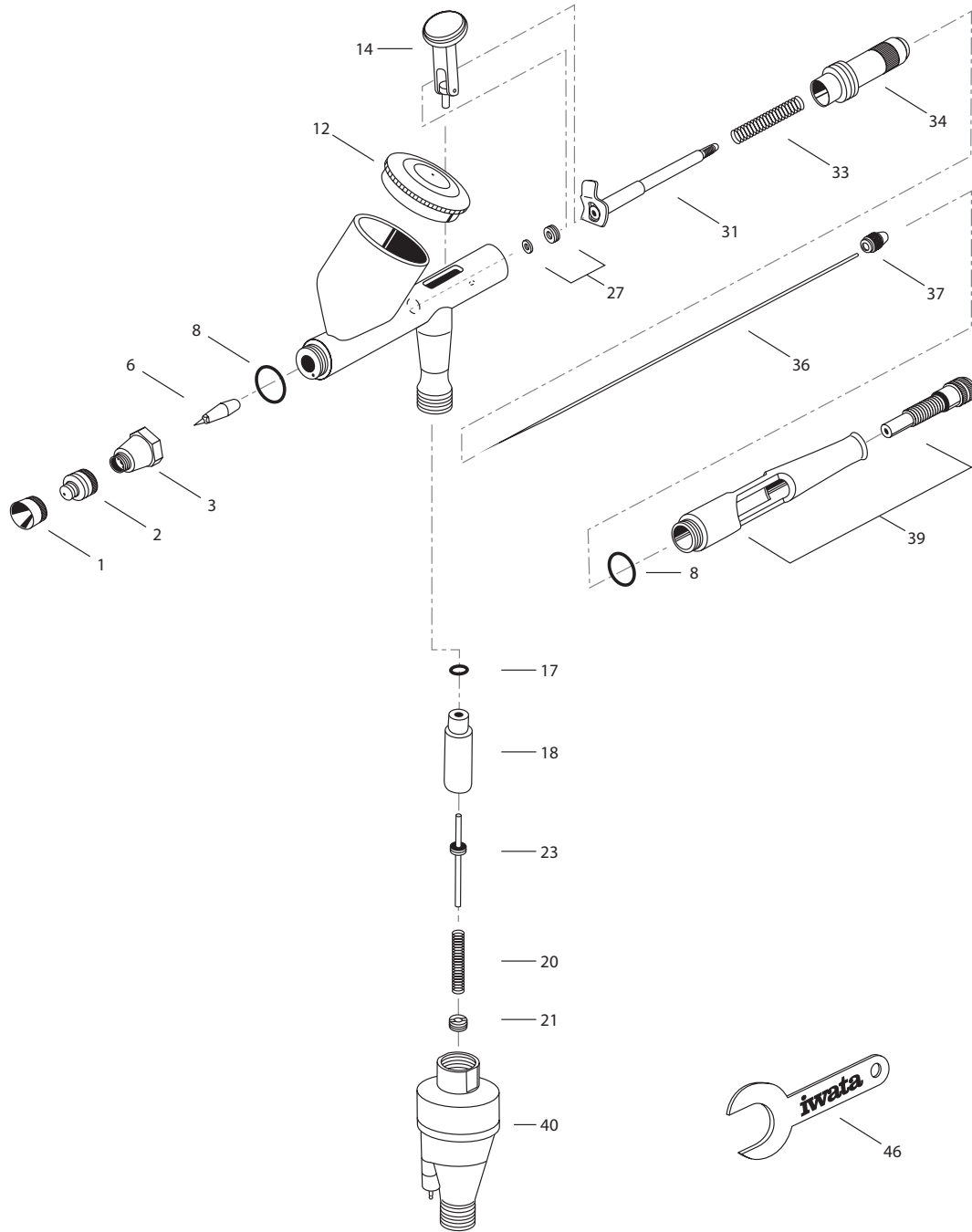


#	ITEM DESCRIPTION	PRICE CODE	ITEM #	K 9100	ALSO FITS
1	Needle Cap	B	I 110 2	■	
2	Nozzle Cap 0.30 mm	D	I 140 3	■	
6	Fluid Nozzle 0.30 mm	G	I 080 8	■	
8	Packing Head	A	I 605 1	■	
12	Cup Lid	C	I 718 1	■	
14	Main Lever	C	I 545 3	■	
15	Packing MAC Valve	A	I 190 2	■	
16	Micro Air Control Valve	D	I 190 1	■	
27	Needle Packing Set	B	I 725 1	■	
31	Needle Chucking Guide	C	I 715 1	■	

#	ITEM DESCRIPTION	PRICE CODE	ITEM #	K 9100	ALSO FITS
33	Spring	F	I 715 2	■	
34	Spring Guide	A	I 770 1	■	
36	Fluid Needle 0.30mm	C	I 075 3	■	
37	Needle Chucking Nut	A	I 120 1	■	
39	Pre-Set Cutaway Handle	G	I 155 6	■	
17	Packing Air Valve	A	I 145 1	■	
22	Air Valve Set	G	I 030 4	■	
40	Pistol-Grip Filter	N/A	FA 450	■	
45	Spanner Wrench	A	I 165 1	■	

■ = yes x = no opt = optional

IWATA KUSTOM SERIES - ECLIPSE CS

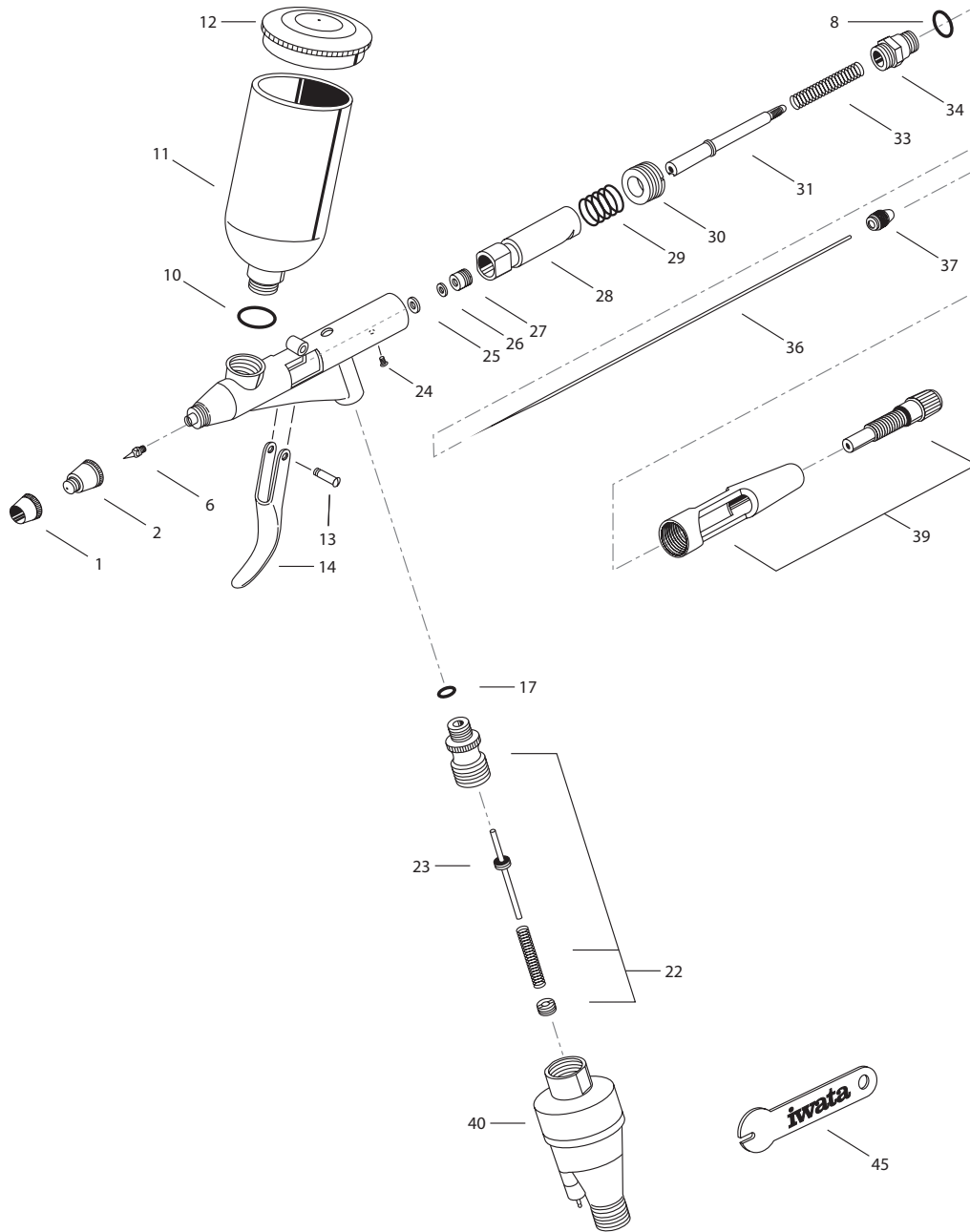


#	ITEM DESCRIPTION	PRICE CODE	ITEM #	K 9300	ALSO FITS
1	Needle Cap	A	I 601 1	■	
2	Nozzle Cap 0.35mm	B	I 602 2	■	
3	Head Cap	C	I 603 1	■	
6	Fluid Nozzle 0.35mm	E	I 604 2	■	
8	Packing Head (Qty. 2)	A	I 605 1	■	
12	Cup Lid	C	I 618 1	■	
14	Main Lever	C	I 612 3	■	
27	Needle Packing Set	B	I 725 1	■	
31	Needle Chucking Guide with Auxiliary Lever	C	I 715 1	■	
33	Spring	A	I 135 1	■	
34	Spring Guide	B	I 770 1	■	

#	ITEM DESCRIPTION	PRICE CODE	ITEM #	K 9300	ALSO FITS
36	Fluid Needle 0.35mm	B	I 617 2	■	
37	Needle Chucking Nut	A	I 120 1	■	
39	Pre-Set Cutaway Handle	G	I 155 6	■	
17	Packing Air Valve	B	I 580 1	■	
18	Air Valve Guide Body	B	I 608 1	■	
20	Air Valve Spring	A	I 510 4	■	
21	Air Valve Guide	A	I 611 1	■	
23	Air Valve	A	I 609 1	■	
40	Pistol-Grip Filter	N/A	FA 450	■	
46	Spanner Head Cap Wrench	A	I 630 1	■	

■ = yes x = no opt = optional

IWATA KUSTOM SERIES - REVOLUTION TR

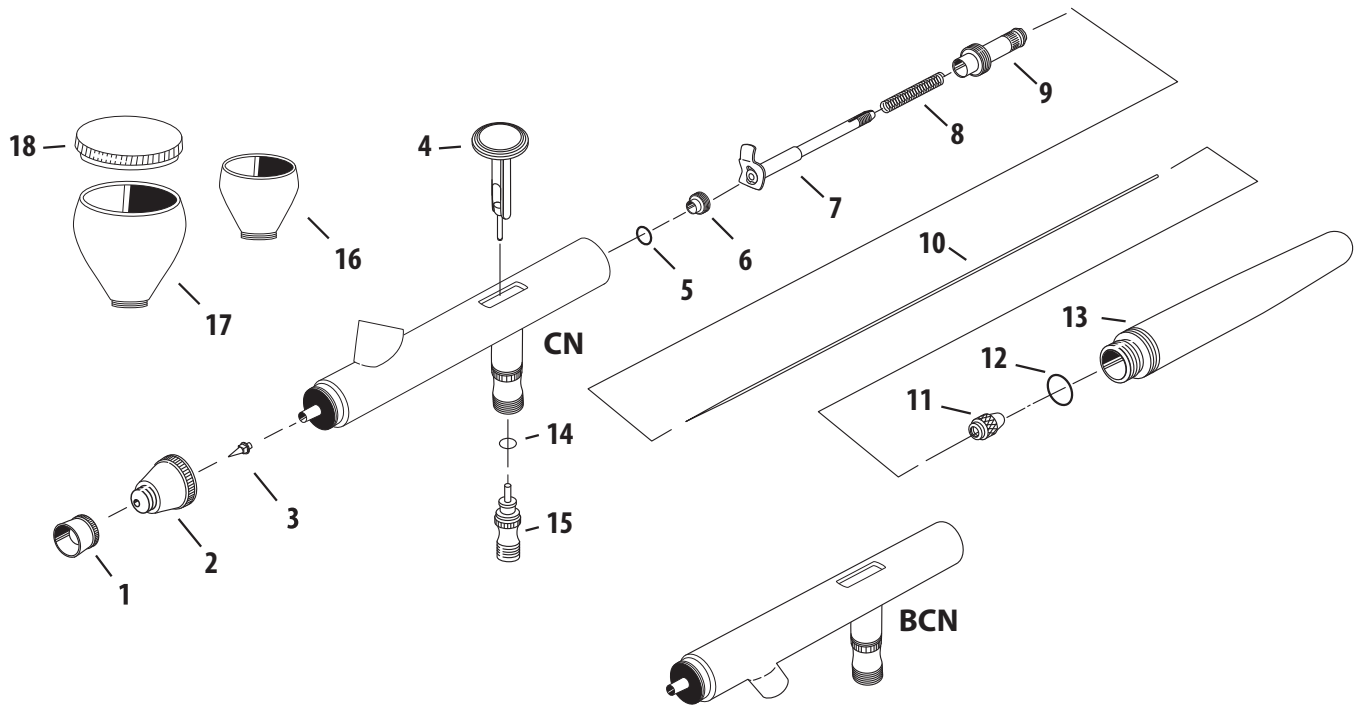


#	ITEM DESCRIPTION	PRICE CODE	ITEM #	K 9400	ALSO FITS
1	Needle Cap	A	I 701 3	■	
2	Nozzle Cap 0.30mm	C	I 702 2	■	
6	Fluid Nozzle 0.30mm	C	I 704 2	■	
8	Packing Head	A	I 605 1	■	
10	Packing Center Cup	A	I 150 7	■	
11	Center Cup	G	I 070 7	■	
12	Cup Lid	C	I 095 9	■	
13	Trigger Screw	C	I 714 2	■	
14	Trigger	I	I 714 1	■	
24	Main Body Ring Screw	D	I 731 2	■	
25	PTFE Needle Packing	B	I 725 3	■	
26	Needle Packing	A	I 150 2	■	
27	Needle Packing Screw	C	I 725 2	■	
28	Slide Cam	I	I 730 1	■	

#	ITEM DESCRIPTION	PRICE CODE	ITEM #	K 9400	ALSO FITS
29	Slide Cam Spring	B	I 730 2	■	
30	Main Body Ring	D	I 731 1	■	
31	Needle Chucking Guide	F	I 715 2	■	
33	Spring	A	I 770 3	■	
34	Spring Guide	E	I 170 7	■	
36	Fluid Needle 0.30mm	C	I 717 4	■	
37	Needle Chucking Nut	A	I 120 1	■	
39	Pre-Set Cutaway Handle	G	I 155 4	■	
17	Packing Air Valve	A	I 145 1	■	
22	Air Valve Set	G	I 712 1	■	
23	Air Valve	C	I 713 1	■	
40	Pistol-Grip Filter	N/A	FA 450	■	
45	Spanner Wrench	A	I 165 1	■	

■ = yes x = no opt = optional

NEO SERIES FOR IWATA - BCN AND CN

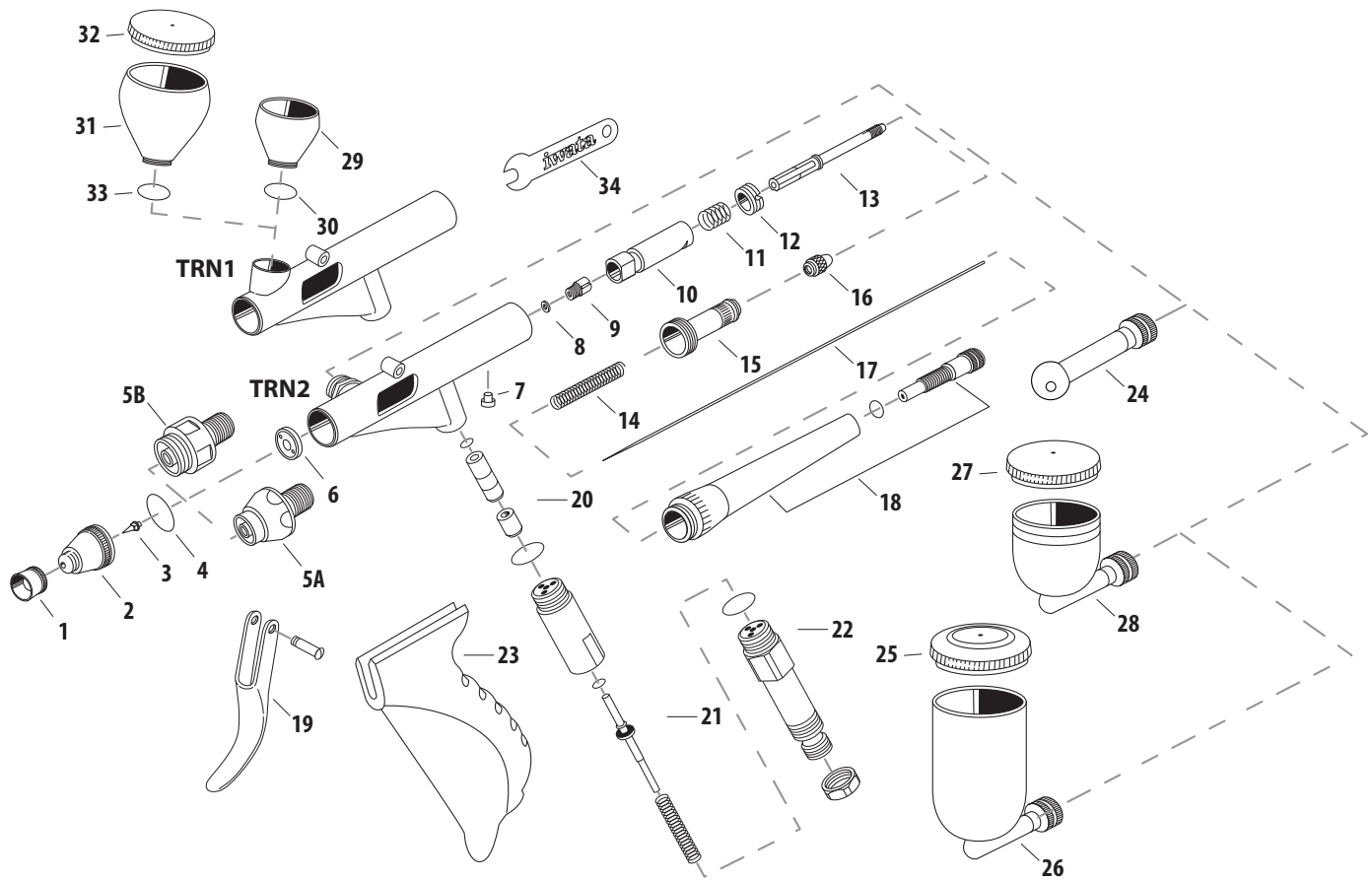


#	ITEM DESCRIPTION	PRICE CODE	ITEM #	BCN N 2000	CN N 4500	ALSO FITS
1	Needle Cap	A	N 110 1	■	■	
2	Nozzle Cap	0.35 mm	N 140 1	opt	■	
		0.5 mm	N 140 2	■	opt	
3	Nozzle	0.35 mm	N 080 1	opt	■	
		0.5 mm	N 080 2	■	opt	
4	Main Lever	A	N 100 1	■	■	
5	Needle Packing (PTFE)	A	N 150 1	■	■	
6	Needle Packing Screw	A	N 125 1	■	■	
7	Needle Chucking Guide	A	N 115 1	■	■	
8	Needle Spring	A	N 135 1	■	■	
9	Spring Guide	A	N 170 1	■	■	

#	ITEM DESCRIPTION	PRICE CODE	ITEM #	BCN N 2000	CN N 4500	ALSO FITS
10	Needle	0.35 mm	N 075 1	opt	■	
		0.5 mm	N 075 2	■	opt	
11	Needle Chucking Nut	A	N 120 1	■	■	
12	Handle O-Ring	A	N 105 1	■	■	
13	Handle	C	N 090 1	■	■	
14	Valve Body O-Ring	A	N 150 2	■	■	
15	Valve Set	A	N 020 1	■	■	
16	Fluid Cup	C	N 070 1	x	■	
17	Fluid Cup	D	N 070 2	x	■	
18	Fluid Cup Lid	A	N 095 4	x	■	

■ = yes x = no opt = optional

NEO SERIES FOR IWATA - TRN1 AND TRN2 TRIGGER



#	ITEM DESCRIPTION	PRICE CODE	ITEM #	TRN2 N 5000	TRN1 N 5500	ALSO FITS
1	Needle Cap	A	N 110 2	■	■	
2	Nozzle Cap	A	N 140 3	opt	■	
	0.35 mm	A	N 140 4	■	opt	
	0.50 mm	A	N 140 4	■	opt	
3	Nozzle	C	N 080 3	opt	■	
	0.35 mm	C	N 080 4	■	opt	
	0.50 mm	C	N 080 4	■	opt	
4	Nozzle Cap O-Ring	A	N 150 3	opt	■	
		A	N 150 4	■	opt	
5A	Head Base	A	N 135 3	x	■	
5B	Head Base	A	N 135 4	■	x	
6	Head Base Packing (PTFE)	A	N 150 5	■	■	
7	Main Body Ring Screw	A	N 131 2	■	■	
8	Needle Packing (PTFE)	A	N 150 7	■	■	
9	Needle Packing Screw	A	N 125 2	■	■	
10	Slide Cam	A	N 130 1	■	■	
11	Spring Side Cam	A	N 130 2	■	■	
12	Main Body Ring	A	N 131 1	■	■	
13	Needle Chucking Guide	A	N 115 2	■	■	
14	Needle Spring	A	N 135 2	■	■	
15	Spring Guide	A	N 170 2	■	■	
16	Needle Chucking Nut	A	N 120 2	■	■	

#	ITEM DESCRIPTION	PRICE CODE	ITEM #	TRN2 N 5000	TRN1 N 5500	ALSO FITS
17	Needle	A	N 075 3	opt	■	
	0.35 mm	A	N 075 3	opt	■	
	0.50 mm	A	N 075 4	■	opt	
18	Handle Cap Set	D	N 090 2	■	■	
19	Trigger With Trigger Screw	A	N 100 2	■	■	
20	Air Piston Set	A	N 010 1	■	■	
21	Valve Set	C	N 020 2	■	■	
22	Grip Mount/Extension	D	N 160 1	■	■	
23	Grip	B	N 160 2	■	■	
24	Bottle Adapter	C	N 040 1	■	x	
25	Side Cup Lid	A	N 095 2	■	x	
26	Side Cup	A	N 070 6	■	x	
27	Side Cup Lid	A	N 095 3	■	x	
28	Side Cup	D	N 070 5	■	x	
29	Gravity Cup	C	N 070 3	x	■	
30	Gravity Cup O-Ring	A	N 071 2	x	■	
31	Gravity Cup	D	N 070 4	x	■	
32	Gravity Cup Lid	A	N 095 1	x	■	
33	Gravity Cup O-Ring	A	N 071 3	x	■	
34	Spanner	A	N 165 1	■	■	

■ = yes x = no opt = optional



ANEST IWATA-MEDEA, Inc.

ANEST Iwata-Medea, Inc. - 1336 N. Mason St., Portland, OR 97217
tel 503-253-7308 - fax 503-253-0721 - info@iwata-medea.com

www.iwata-airbrush.com